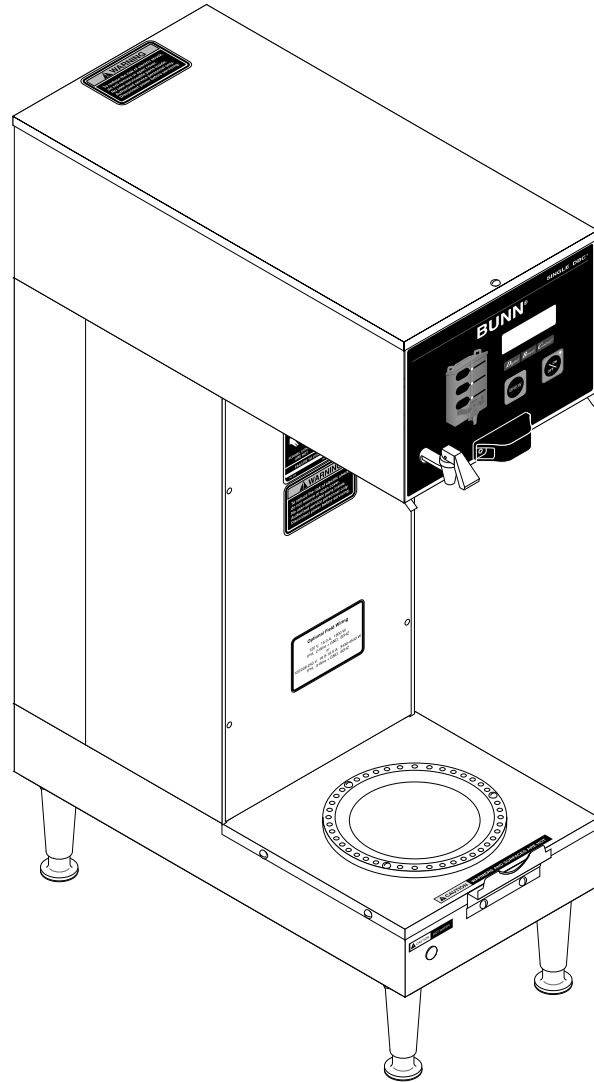


BUNN®

SINGLE® GPR DBC-DV
WITH SMART FUNNEL®
Dual Voltage Model



ILLUSTRATED PARTS CATALOG

Designs, materials, weights, specifications, and dimensions for equipment or replacement parts are subject to change without notice.

BUNN-O-MATIC CORPORATION

POST OFFICE BOX 3227

SPRINGFIELD, ILLINOIS 62708-3227

PHONE: (217) 529-6601 FAX: (217) 529-6644



BUNN-O-MATIC COMMERCIAL PRODUCT WARRANTY

Bunn-O-Matic Corp. ("BUNN") warrants equipment manufactured by it as follows:

- 1) Airpots, thermal carafes, decanters, GPR servers, iced tea/coffee dispensers, MCR/MCP/MCA single cup brewers, thermal servers and ThermoFresh® servers (mechanical and digital) 1 year parts and 1 year labor.
- 2) All other equipment - 2 years parts and 1 year labor plus added warranties as specified below:
 - a) Electronic circuit and/or control boards - parts and labor for 3 years.
 - b) Compressors on refrigeration equipment - 5 years parts and 1 year labor.
 - c) Grinding burrs on coffee grinding equipment to grind coffee to meet original factory screen sieve analysis - parts and labor for 4 years or 40,000 pounds of coffee, whichever comes first.

These warranty periods run from the date of installation BUNN warrants that the equipment manufactured by it will be commercially free of defects in material and workmanship existing at the time of manufacture and appearing within the applicable warranty period. This warranty does not apply to any equipment, component or part that was not manufactured by BUNN or that, in BUNN's judgment, has been affected by misuse, neglect, alteration, improper installation or operation, improper maintenance or repair, non periodic cleaning and descaling, equipment failures related to poor water quality, damage or casualty. In addition, the warranty does not apply to replacement of items subject to normal use including but not limited to user replaceable parts such as seals and gaskets. This warranty is conditioned on the Buyer 1) giving BUNN prompt notice of any claim to be made under this warranty by telephone at (217) 529-6601 or by writing to Post Office Box 3227, Springfield, Illinois 62708-3227; 2) if requested by BUNN, shipping the defective equipment prepaid to an authorized BUNN service location; and 3) receiving prior authorization from BUNN that the defective equipment is under warranty.

THE FOREGOING WARRANTY IS EXCLUSIVE AND IS IN LIEU OF ANY OTHER WARRANTY, WRITTEN OR ORAL, EXPRESS OR IMPLIED, INCLUDING, BUT NOT LIMITED TO, ANY IMPLIED WARRANTY OF EITHER MERCHANTABILITY OR FITNESS FOR A PARTICULAR PURPOSE. The agents, dealers or employees of BUNN are not authorized to make modifications to this warranty or to make additional warranties that are binding on BUNN. Accordingly, statements by such individuals, whether oral or written, do not constitute warranties and should not be relied upon.

If BUNN determines in its sole discretion that the equipment does not conform to the warranty, BUNN, at its exclusive option while the equipment is under warranty, shall either 1) provide at no charge replacement parts and/or labor (during the applicable parts and labor warranty periods specified above) to repair the defective components, provided that this repair is done by a BUNN Authorized Service Representative; or 2) shall replace the equipment or refund the purchase price for the equipment.

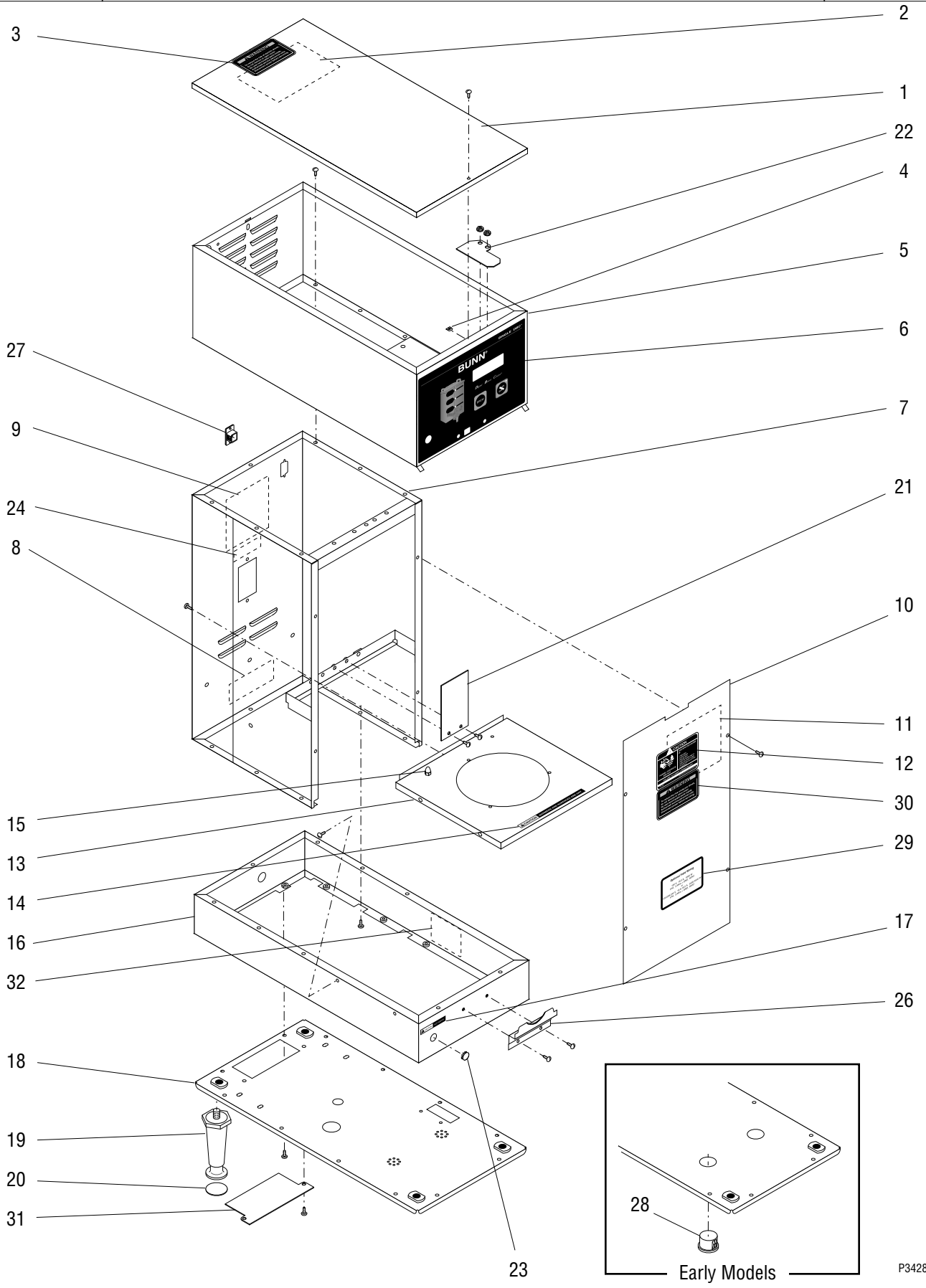
THE BUYER'S REMEDY AGAINST BUNN FOR THE BREACH OF ANY OBLIGATION ARISING OUT OF THE SALE OF THIS EQUIPMENT, WHETHER DERIVED FROM WARRANTY OR OTHERWISE, SHALL BE LIMITED, AT BUNN'S SOLE OPTION AS SPECIFIED HEREIN, TO REPAIR, REPLACEMENT OR REFUND.

In no event shall BUNN be liable for any other damage or loss, including, but not limited to, lost profits, lost sales, loss of use of equipment, claims of Buyer's customers, cost of capital, cost of down time, cost of substitute equipment, facilities or services, or any other special, incidental or consequential damages.

392, A Partner You Can Count On, Air Infusion, AutoPOD, AXIOM, BrewLOGIC, BrewMETER, Brew Better Not Bitter, BrewWISE, BrewWIZARD, BUNN Espresso, BUNN Family Gourmet, BUNN Gourmet, BUNN Pour-O-Matic, BUNN, BUNN with the stylized red line, BUNNlink, Bunn-O-Matic, Bunn-O-Matic, BUNNserve, BUNNSERVE with the stylized wrench design, Cool Froth, DBC, Dr. Brew stylized Dr. design, Dual, Easy Pour, EasyClear, EasyGard, FlavorGard, Gourmet Ice, Gourmet Juice, High Intensity, iMIX, Infusion Series, Intellisteam, My Café, Phase Brew, PowerLogic, Quality Beverage Equipment Worldwide, Respect Earth, Respect Earth with the stylized leaf and coffee cherry design, Safety-Fresh, savemycoffee.com, Scale-Pro, Silver Series, Single, Smart Funnel, Smart Hopper, SmartWAVE, Soft Heat, SplashGard, The Mark of Quality in Beverage Equipment Worldwide, ThermoFresh, Titan, trifacta, TRIFECTA (stylized logo), Velocity Brew, Air Brew, Beverage Bar Creator, Beverage Profit Calculator, Brew better, not bitter., Build-A-Drink, BUNNSource, Coffee At Its Best, Cyclonic Heating System, Daypart, Digital Brewer Control, Element, Milk Texturing Fusion, Nothing Brews Like a BUNN, Picture Prompted Cleaning, Pouring Profits, Signature Series, Sure Tamp, Tea At Its Best, The Horizontal Red Line, Ultra are either trademarks or registered trademarks of Bunn-O-Matic Corporation. The commercial trifacta® brewer housing configuration is a trademark of Bunn-O-Matic Corporation.

TABLE OF CONTENTS

Base - Trunk - Hood - Covers & Panels	4
Dispense Valve and Sprayhead.....	18
Electrical Controls	22
Faucet.....	20
Funnel.....	26
Inlet Valve & Lines.....	14
Numerical Index	28
Strainer/Flow Control - Solenoid & Lines	12
Tank and Mounting Brackets	10
Tank Heater & Overflow Protection Devices	8
Warmer Assemblies	24
Water By-Pass.....	16



P3428.40

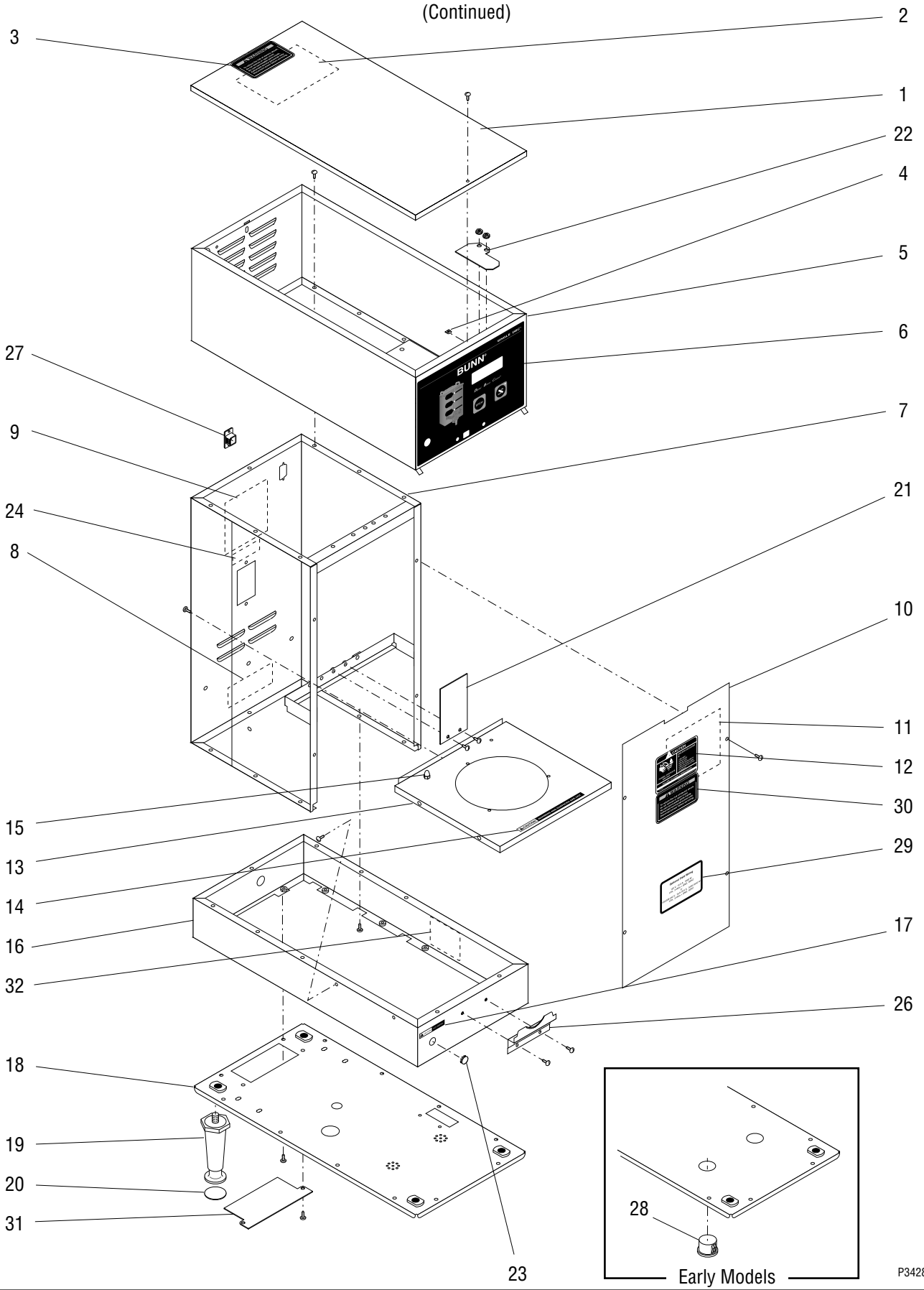
BASE - TRUNK - HOOD - COVERS & PANELS

ITEM	PART NO.	QTY.	DESCRIPTION
1	25766.0001	1	Cover W/Decals, Top (Includes items 2 & 3)
	02336.0000	1	Screw, Truss Head #4 - 40 x .375"
2	25151.0000	1	Shield, Insulator
3	37881.0000	1	Decal, Warning - "No Serviceable Parts"
4	00916.0000	1	Clip, J-Type #4 - 40
5	36404.1005	1	Hood W/Decals (Includes item 6)
	02308.0000	7	Screw, Pan Head #8 - 32 x .375"
6	29973.0003	1	Membrane Switch
7	37426.1000	1	Trunk W/Decals (17.75")
	37426.1001	1	Trunk W/Decals (16.0")
			} Includes items 8, 9 & 24
8	00656.0001	1	Decal, Comply to Plumbing Code
9	00986.0000	1	Decal, Warning - Electrical
10	27744.1005	1	Panel W/Decals, 120/240V (17.66") (Includes items 11, 12, 29 & 30)
	22987.1000	1	Panel W/Decals, 120/240V (15.92") (Includes items 11, 12, 29 & 30)
	01382.0003	8	Screw, Truss Head Locking #6 - 32 x .375"
11	32043.0003	1	Schematic, Electrical 120/240V
12	00658.0000	1	Decal, Caution - Decanter/Funnel
13	21511.1004	1	Warmer Panel Assy W/Decals (Includes items 14 & 15)
	01311.0000	4	Screw, Truss Head SST #8 - 32 x .25"
14	12364.0000	1	Decal, Caution-Warmers Are Hot
15	02324.0000	2	Nut, Acorn #8 - 32
16	28592.1004	1	Base Housing W/Decals, 120/240V (Includes item 17)
	28592.0008	1	Base Housing, 120/240V
	02308.0000	7	Screw, Pan Head #8 - 32 x .375"
17	20201.5600	1	Decal, Warning - Hot Water
18	22979.0003	1	Cover, Bottom 120/240V
	22979.0004	1	Cover, Bottom 120/240V (Models with Main Power Switch)
	22979.0007	1	Cover, Bottom 120/240V (Models with Main Power Switch)
	02308.0000	12	Screw, Pan Head #8 - 32 x .375"
19	26528.0000	4	Leg, 4.0" Plastic
20	03996.0000	4	Pad, Anti Skid
			} See item 25
21	34020.0000	1	Plate, Decal Mounting (Models without Main Power Switch)
	02308.0000	2	Screw, Pan Head #8 - 32 x .375"
22	32649.0000	1	Plate, Cover
	00970.0000	2	Nut, Keps #8 - 32
23	00619.0007	1	Plug, .50" Dia.
24	00985.0000	1	Decal, Individual Circuit Info

(Continued)

* Indicates the part number listed is for reference only. See DESCRIPTION for possible service replacement.

(Continued)

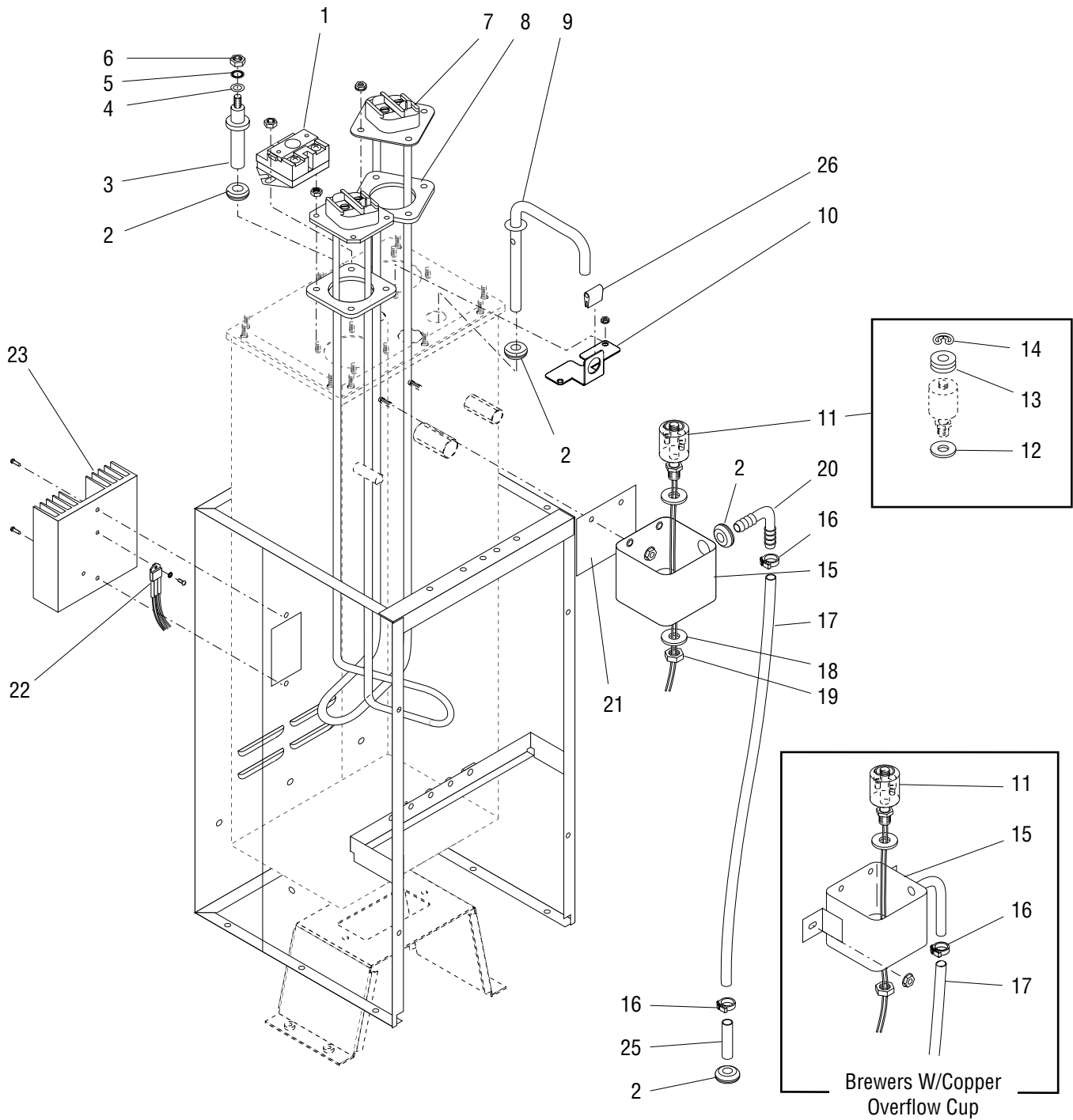


P3428.40

BASE - TRUNK - HOOD - COVERS & PANELS

ITEM	PART NO.	QTY.	DESCRIPTION
25	13255.0003	-	Leg Kit (Includes 4 each of items 19 & 20) (Not Illustrated)
26	21104.0003	2	Server Stop, Bolt-On (Used in Product # 36100.0000)
	21104.0007	2	Server Stop, Bolt-On (Used in Product # 36100.0010)
	01347.0000	4	Screw, #6 - 32 x .38"
27	36398.0000	1	Hole Plug, DB-9 (Early models)
28	03011.0000	2	Plug, Vent BLK 1.0" Dia. (Early models only)
29	29710.0012	1	Decal, Optional Field Wiring
30	37881.0000	1	Decal, Warning - "No Serviceable Parts"
31	37766.0000	1	Cover, Access
	02308.0000	2	Screw, Pan Head #8 - 32 x .375" } Used in Product # 36100.0000 only
32	39803.0000	1	Decal, Main Switch (Models with Main Power Switch only)

* Indicates the part number listed is for reference only. See DESCRIPTION for possible service replacement.

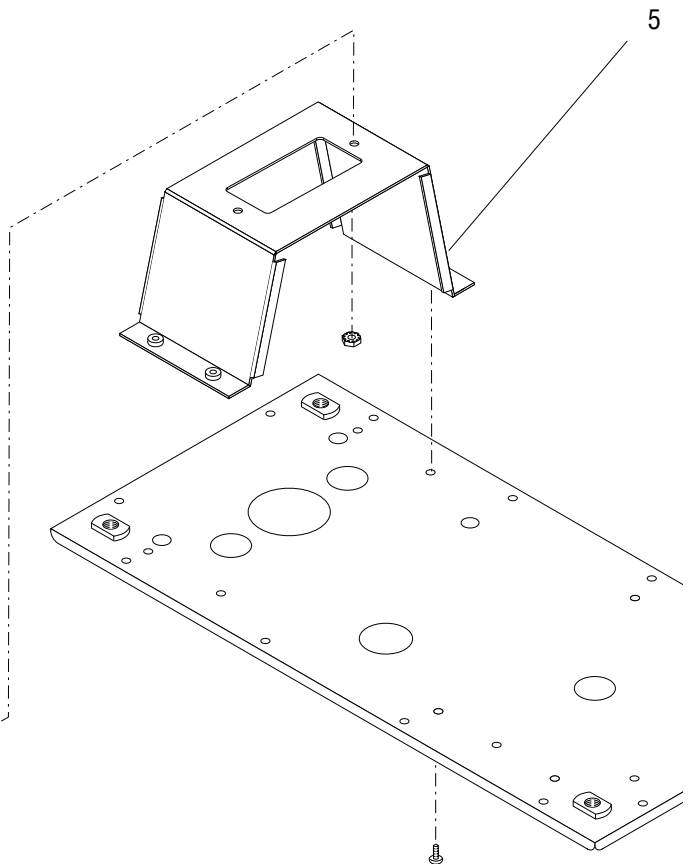
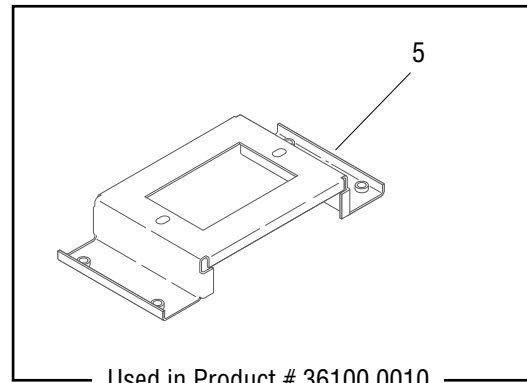
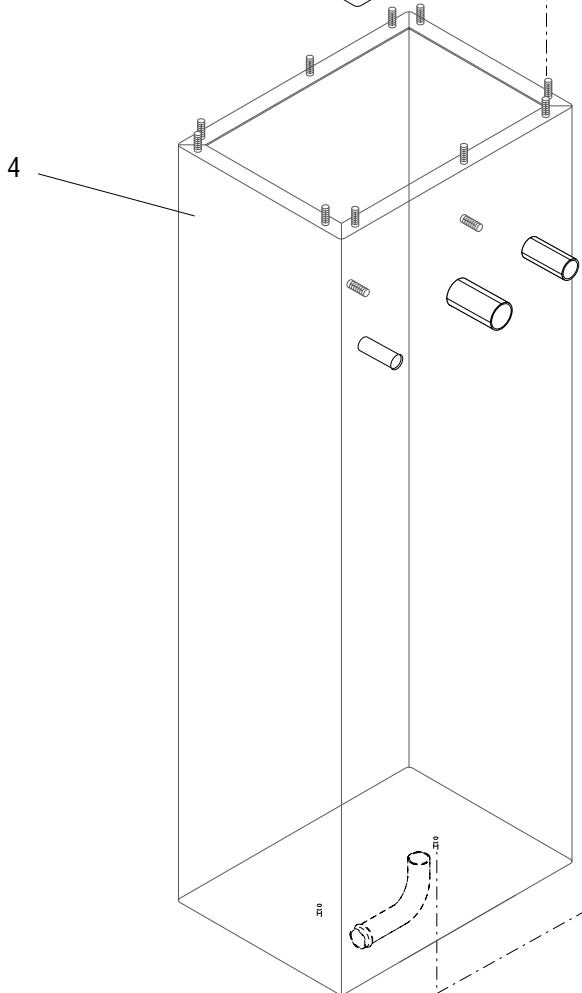
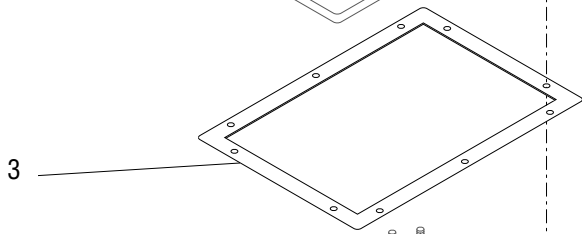
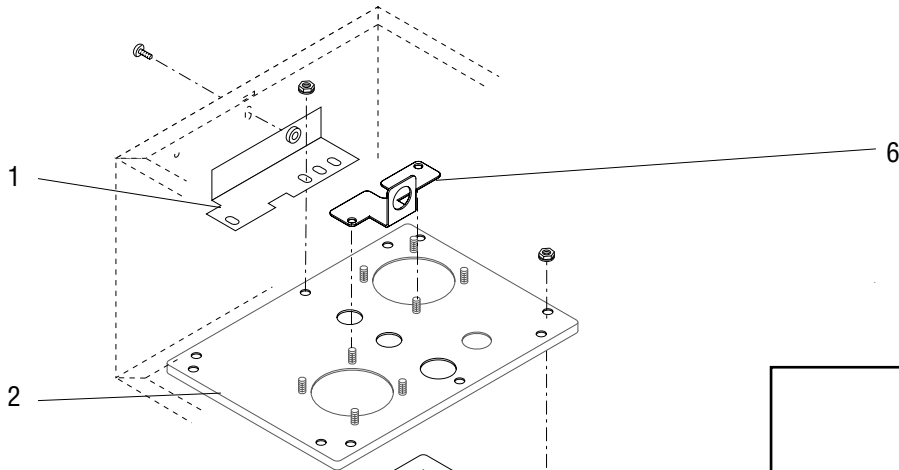


TANK HEATER & OVERFLOW PROTECTION DEVICES

ITEM	PART NO.	QTY.	DESCRIPTION
1	23717.0003 00908.0000	1 2	Thermostat, Limit Nut, Hex #8 - 32
2	02536.0000	4	Grommet, Probe (1 less used on brewers with Copper Overflow Cup)
3	20936.1000	1	Probe Kit (Includes items 4, 5 & 6)
4	01501.0000	1	Washer .164" I.D. x .375" O.D.
5	20203.0100	1	Lockwasher, Internal Tooth #8
6	00908.0000	1	Nut, Hex #8 - 32
7	20922.1001 20922.1004 00908.0000	1 1 4	Tank Heater 1650W @ 120V (Includes Item 8) Tank Heater 3235W @ 120V (Includes Item 8) Nut, Hex #8 - 32
8	12398.0002	1	Gasket, Tank Heater
9	26622.0001	1	Tube Assy, Vent
10	37844.0000	1	Bracket, Vent Tube
11	03803.0000 04797.0000 00946.0000	1 1 1	Switch Assy, Liquid Level, 120/240V (Includes Items 12, 13 & 14) Washer, Celcon .520" I.D. x 1.0" O.D. Nut, Hex .125" FPT
12	03633.0000	2	Gasket, Float Switch (Only 1 used in this application)
13	-----	3	Washer, Adjusting (DO NOT USE IN THIS APPLICATION)
14	03807.0000	1	Clip, Spring
15	22728.0000 41259.1003 00971.0000	1 1 2	Overflow Cup Assy Copper (Also replaces aluminum cup) Kit, Overflow Cup (Aluminum) (Includes items 2,18, 20 & 21) Nut, Keps #10-32
16	12422.0000	2	Clamp, Hose .47"/.54" I.D.
17	28526.0009*	1	Tube, Silicone .313" I.D. x 24" (Order Item 27) (Cut As Required)
18	04797.0000	1	Washer, Celcon .520" I.D. x 1.0" O.D.
19	00946.0000	1	Nut, Hex .125" FPT
20	41280.0001	1	Elbow,.375" Multi Barb
21	41266.0000	1	Film, Insulating
22	12565.0036 02328.0003 01520.0000	1 1 1	Triac Assy, 40 Amp (120/240V) Screw, Pan Head #6 - 32 x .312" Lockwasher #6
23	20541.0001	1	Heat Sink, Aluminum
24	M2522.1000	-	Heat Sink Compound (Not Illustrated)
25	21801.0002	1	Tube, .375" O.D. x 1.50" LG
26	02434.0013*	1	U-Channel 1.0" (Order item 28)
27	28526.1000 28526.1001 28526.1002 28526.1003	- - - -	Tube, Silicone .313" I.D. x 12.0" Tube, Silicone .313" I.D. x 36.0" Tube, Silicone .313" I.D. x 60.0" Tube, Silicone .313" I.D. x 120.0"
28	02434.1000	-	U-Channel 18.0" (Use as required)

Not illustrated

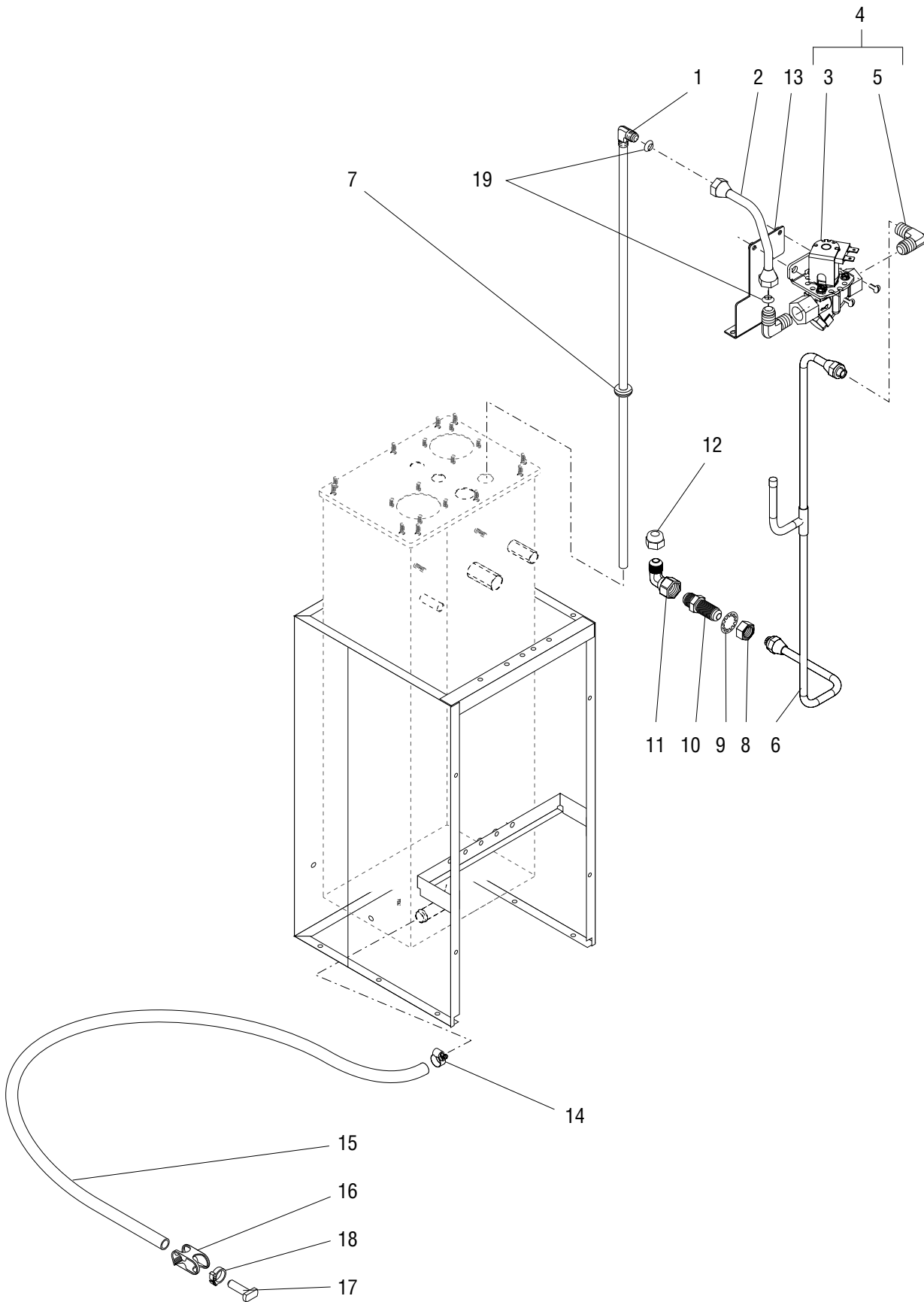
* Indicates the part number listed is for reference only. See DESCRIPTION for possible service replacement.



P34 30.70

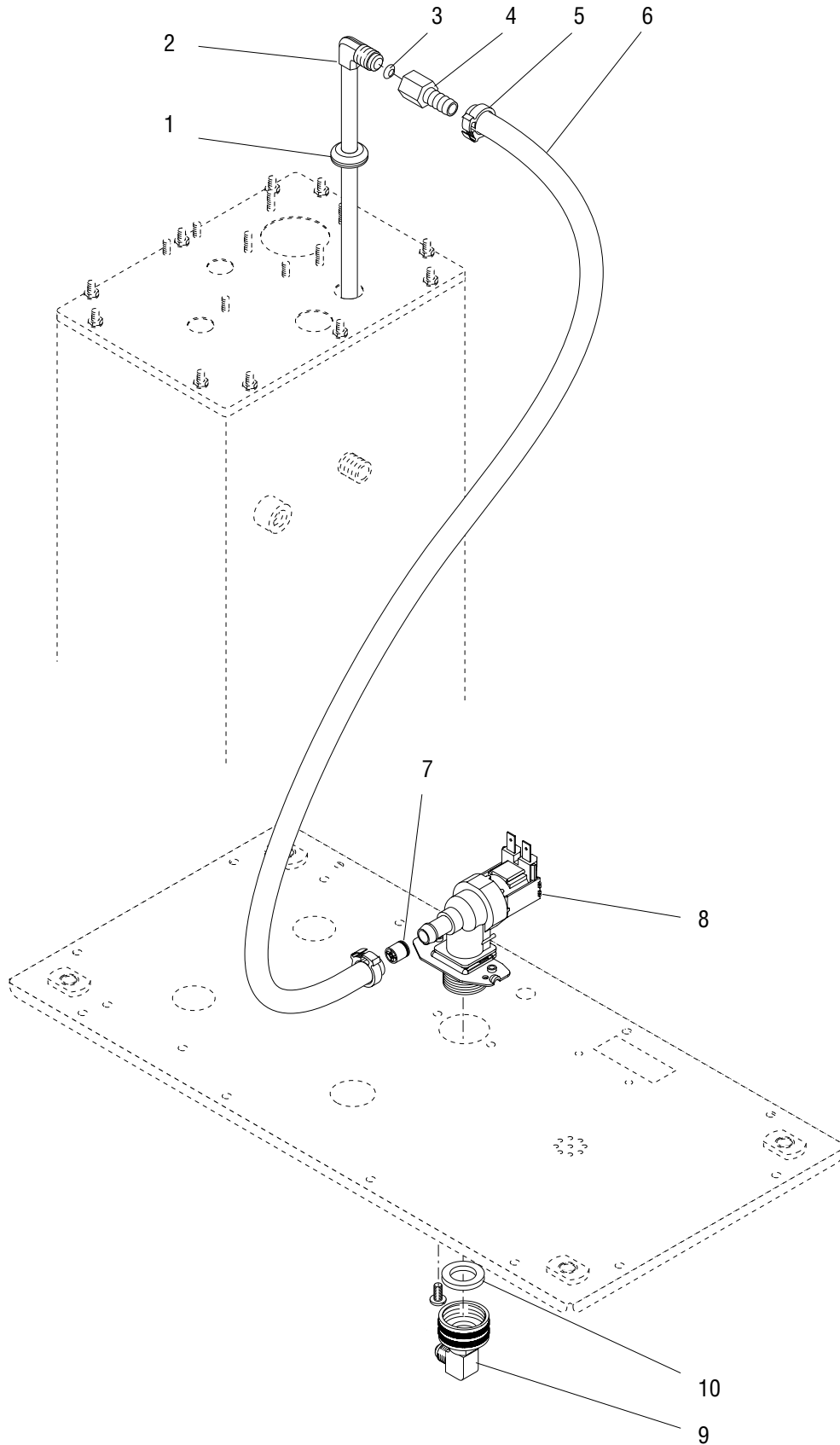
TANK AND MOUNTING BRACKETS

ITEM	PART NO.	QTY.	DESCRIPTION
1	28909.0000	1	Bracket, Tank Support (Top)
	02308.0000	1	Screw, Pan Head #8 - 32 x .375"
	00908.0000	2	Nut, Hex #8 - 32
2	22976.0003	1	Lid, Tank
	00908.0000	10	Nut, Hex #8 - 32
3	22978.0000	1	Gasket, Tank
4	22960.1008	1	Tank Assy (Includes Item 6)
5	37517.0000	1	Bracket, Tank Mounting (Bottom) (Used in Product # 36100.0000)
	37541.0000	1	Bracket, Tank Mounting (Bottom) (Used in Product # 36100.0010)
	00971.0000	2	Nut, Keps #10 - 32
	02308.0000	4	Screw, Pan Head #8 - 32 x .375"
6	-----	1	Bracket, Vent Tube (See TANK HEATER & OVERFLOW PROTECTION)



STRAINER, SOLENOID & LINES

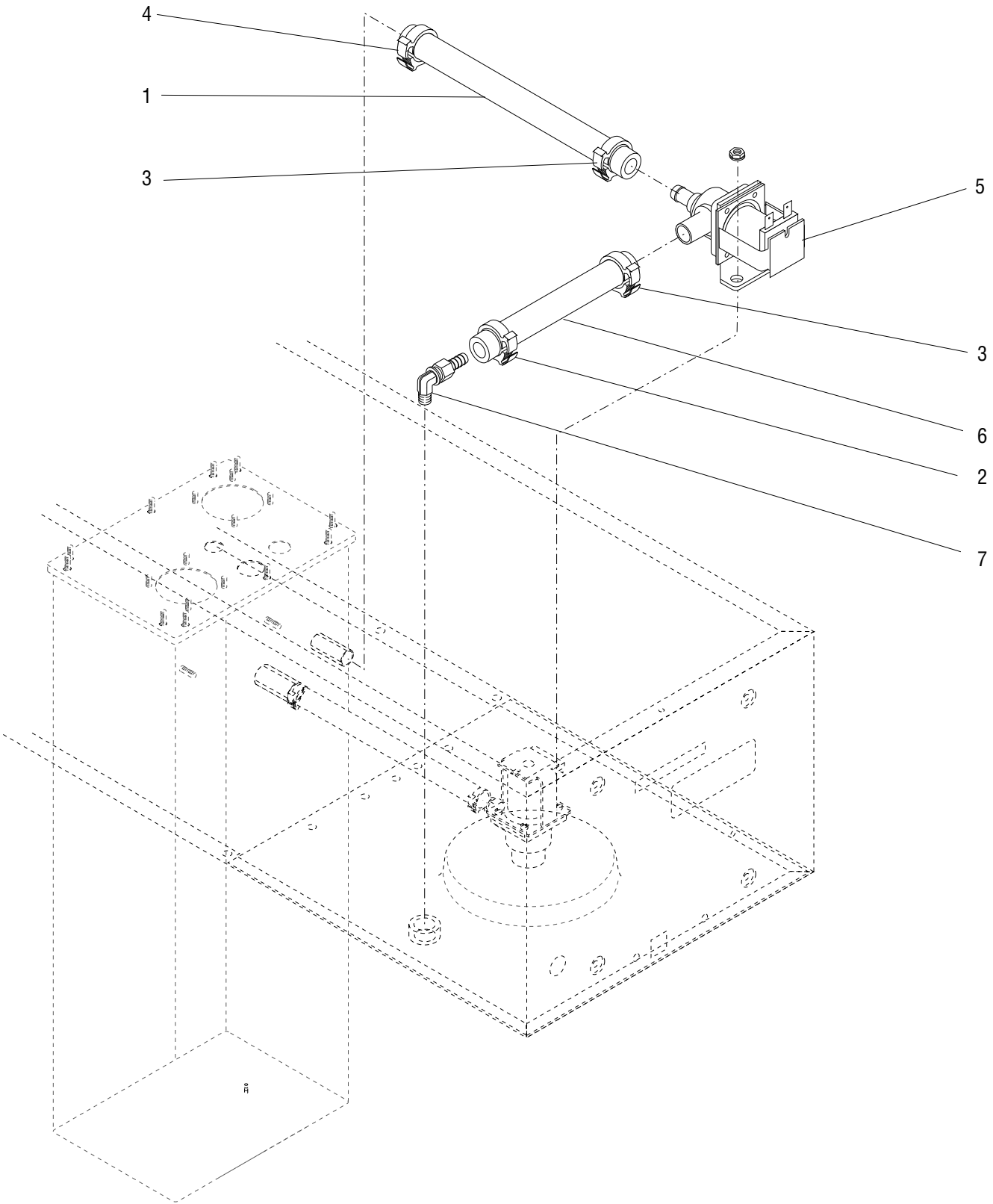
ITEM	PART NO.	QTY.	DESCRIPTION
1	20937.0004	1	Tube, Tank Fill
2	36089.0000	1	Tube, Assembly, Solenoid to Tank
3	35094.0001	1	Solenoid Valve 120V
4	36088.0002	1	Solenoid Valve Assy, 120V (Includes Items 3 & 5)
	01315.0000	2	Screw, Truss Head #8-32 x .375"
5	34768.0001	2	Elbow, .38" Male Flare x .37"
6	37892.0000	1	Tube Assy, Bulkhead Refill Tube .38" O.D. Rear
7	02536.0000	1	Grommet, .375" I.D.
8	12757.0000	1	Nut, Hex .625" - 18 Brass
9	01514.0000	1	Lockwasher, Internal Tooth .625" I.D.
10	12756.0000	1	Bulkhead Fitting .38" Flare
11	37761.0000	1	90° Swivel Elbow
12	00976.0000	1	Cap Nut, .375" Flare-45
13	37127.0001	1	Bracket, Solenoid Mounting
	02308.0000	2	Screw, Pan Head #8-32 x .375"
	01522.0000	2	Washer, Flat .203" ID x .50" OD
14	29421.0000	1	Clamp, Hose-Worm Drive .625"/.75"
15	32591.1002	1	Tube, Silicone .50" I.D. x 36" LG
16	11630.0001	1	Clamp, Tubing Shut Off .75" O.D.
17	35086.0000	1	Plug, .50" I.D. Hose
18	12422.0009	1	Clamp, Hose .71"/.80" I.D.
19	32359.0000	2	Gasket, .375" Flare Copper



INLET VALVE AND LINE

ITEM	PART NO.	QTY.	DESCRIPTION
1	02536.0000	1	Grommet, Fill Tube
2	20937.0004	1	Tube, Tank Fill
3	32359.0000	1	Gasket, .375" Flare Copper
4	12418.0001	1	Fitting, Swivel .375" Barb
5	12422.0001	2	Clamp, Hose .59"/.66" I.D
6	20976.0000*	1	Tube, Silicone .375" I.D. x .625" O.D. x 30.0" (Order item 11)
7	36378.0001	1	Check Valve (Installed in item 6)
8	36233.1000	1	Valve, Water Inlet (Refer to item 12)
	32283.0000	2	Screw, Pan Head M4 x 6MM
9	37297.0001	1	Elbow, .25" FLR x .75" FTHR
10	41640.0000	1	Gasket, .75" Hose Fitting
11	20976.1001	-	Tube .375" ID x .625" OD x 36.0" (Use as required)
	20976.1002	-	Tube .375" ID x .625" OD x 120.0" (Use as required)
12	43644.0000	-	Kit, Valve Rebuild)

* Indicates the part number listed is for reference only. See DESCRIPTION for possible service replacement.

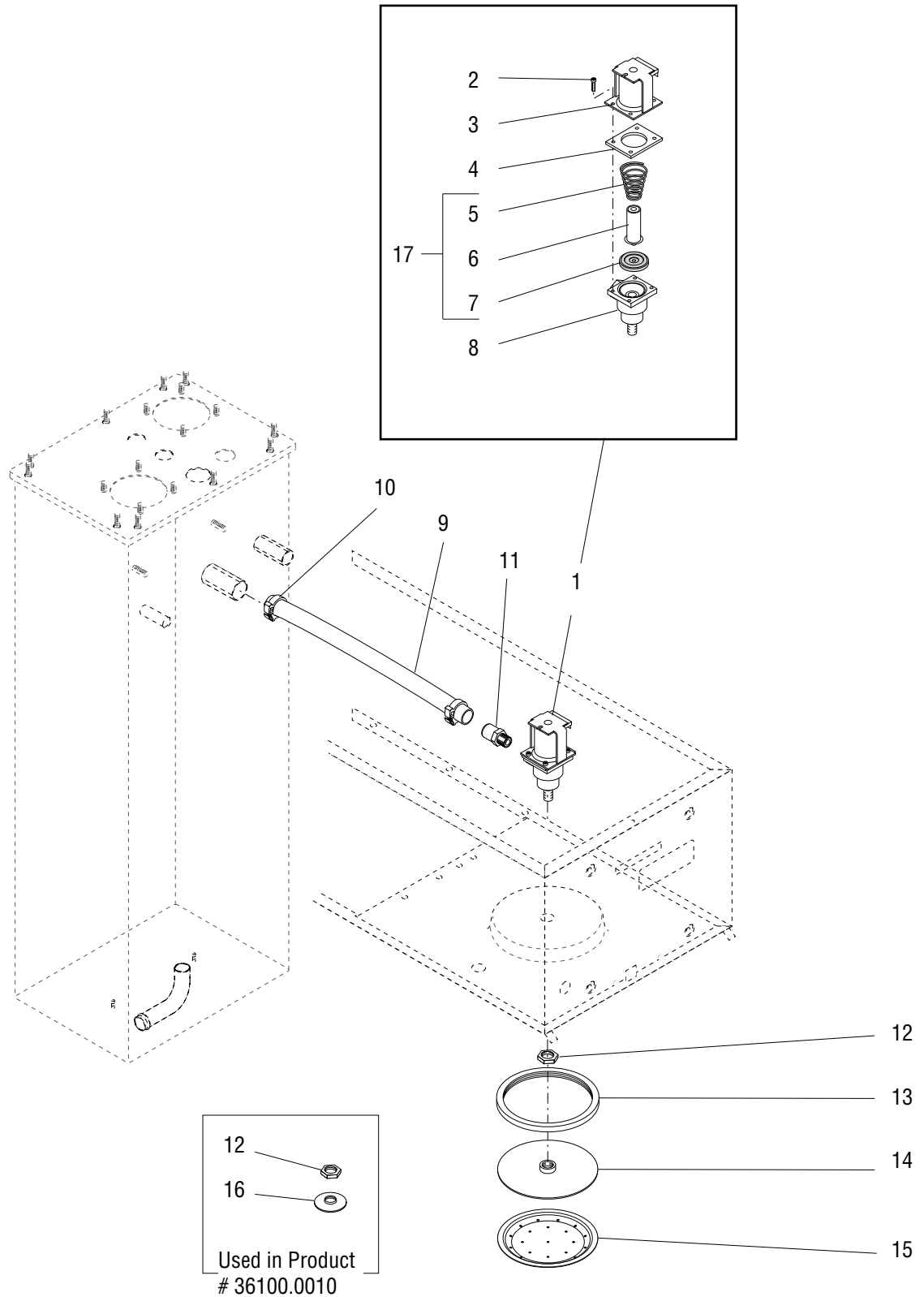


WATER BY-PASS

ITEM	PART NO.	QTY.	DESCRIPTION
1	32591.0014*	1	Tube, Silicone .50" I.D. x 3.60" (Order item 8) (Cut As Required)
2	12422.0001	1	Clamp, Hose .59"/.66" I.D.
3	12422.0005	2	Clamp, Hose .62"/.71" I.D.
4	12422.0009	1	Clamp, Hose .71"/.80" I.D.
5	27370.0003	1	Valve Assy, By-Pass 120/240V
	00970.0000	2	Nut, Keps #8 - 32
6	20976.0064*	1	Tube, Silicone .38" I.D. x .62" O.D. x 4.50" (Order item 9) (Cut As Required)
7	32648.0000	1	Elbow Assy
8	32591.1001	-	Tube, Silicone .50" I.D. x 12.0"
	32591.1002	-	Tube, Silicone .375" I.D. x 36.0"
9	20976.1000	1	Tube, Silicone .38" I.D. x .62" O.D. x 12.0"
	20976.1001	1	Tube, Silicone .38" I.D. x .62" O.D. x 36.0"
	20976.1002	1	Tube, Silicone .38" I.D. x .62" O.D. x 120.0"

} Not illustrated

* Indicates the part number listed is for reference only. See DESCRIPTION for possible service replacement.



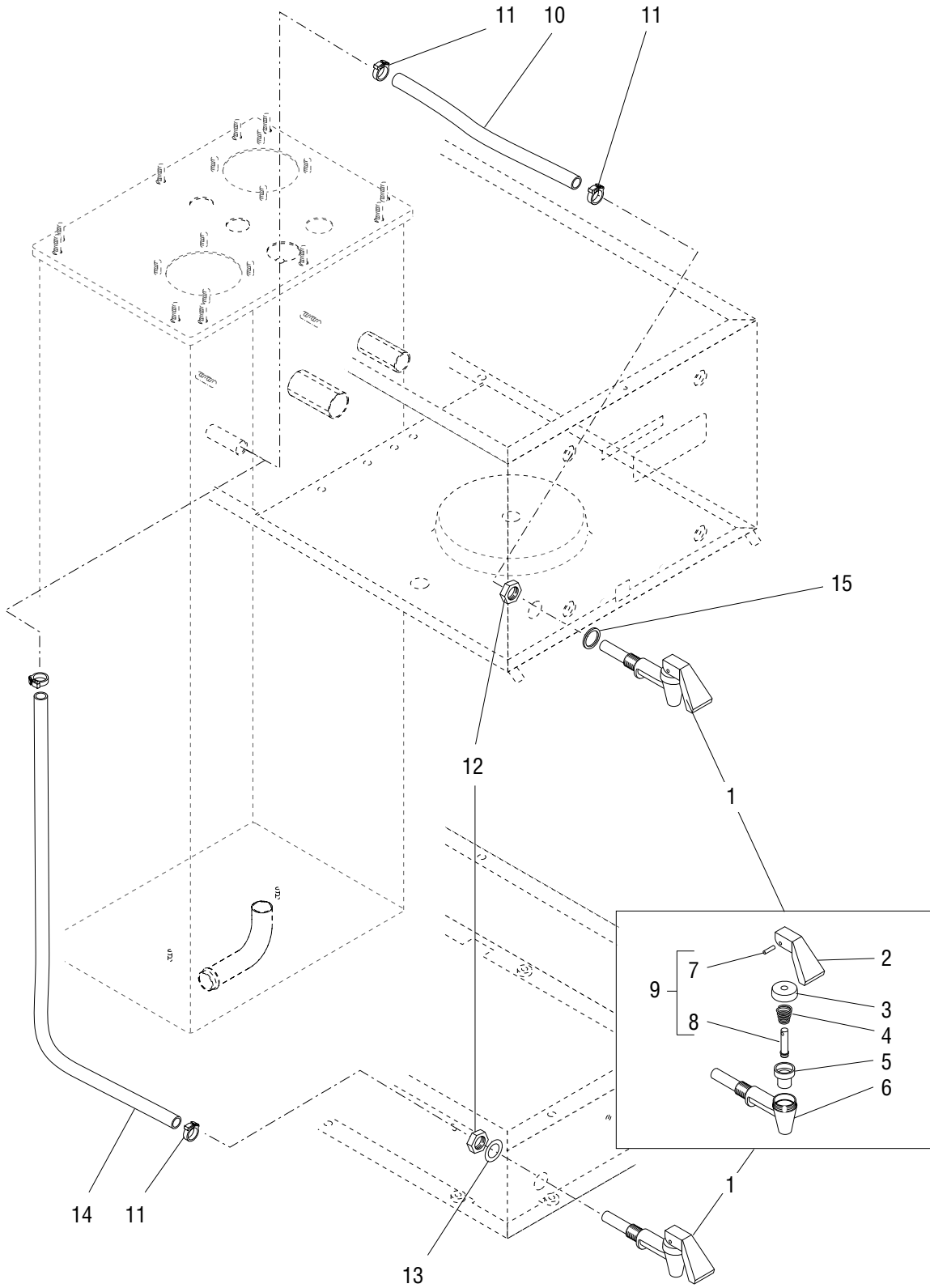
DISPENSE VALVE & SPRAYHEAD

ITEM	PART NO.	QTY.	DESCRIPTION
1	26846.0000	2	Valve Assy, Sprayhead (Includes Items 2 thru 8)
2	23254.0000	4	Screw, #8 - 32
3	22305.0000	1	Coil Assy, Dispensing Valve
4	23256.0000	1	Spacer Plate
5	-----	1	Spring (Not available order item 18)
6	-----	1	Plunger (Not available order item 18)
7	23255.0000	1	Diaphragm
8	-----	1	Body (Not available order item 1)
9	35052.0000*	1	Tube, Silicone .75" I.D. x 6.25" LG (Order item 17) (Cut as required)
10	12422.0008	2	Clamp, Hose Snap-Type.93"/1.1" I.D.
11	34956.0000	1	Fitting, .250" NPTF Hose .750" NPS
12	01075.0000	1	Nut, Hex .438" - 20
13	34868.0000	1	Seal, Sprayhead
14	35070.0001	1	Sprayhead Back
15	34867.0000	1	Sprayhead
16	01082.0002	1	Sprayhead (6-098) (Used in Product # 36100.0010)
17	35052.1000	1	Tube, Silicone .75" I.D. x 1.0" O.D. x 12.0"
18	11517.0008	-	Repair Kit, Bypass & Dispense Valve (Includes one each of spring, plunger and diaphragm)
19	35308.1004	-	Sprayhead Assy (Includes one each of items 13, 14 & 15)

(Used in Product # 36100.0000)
Refer to Item 19

Not illustrated

* Indicates the part number listed is for reference only. See DESCRIPTION for possible service replacement.

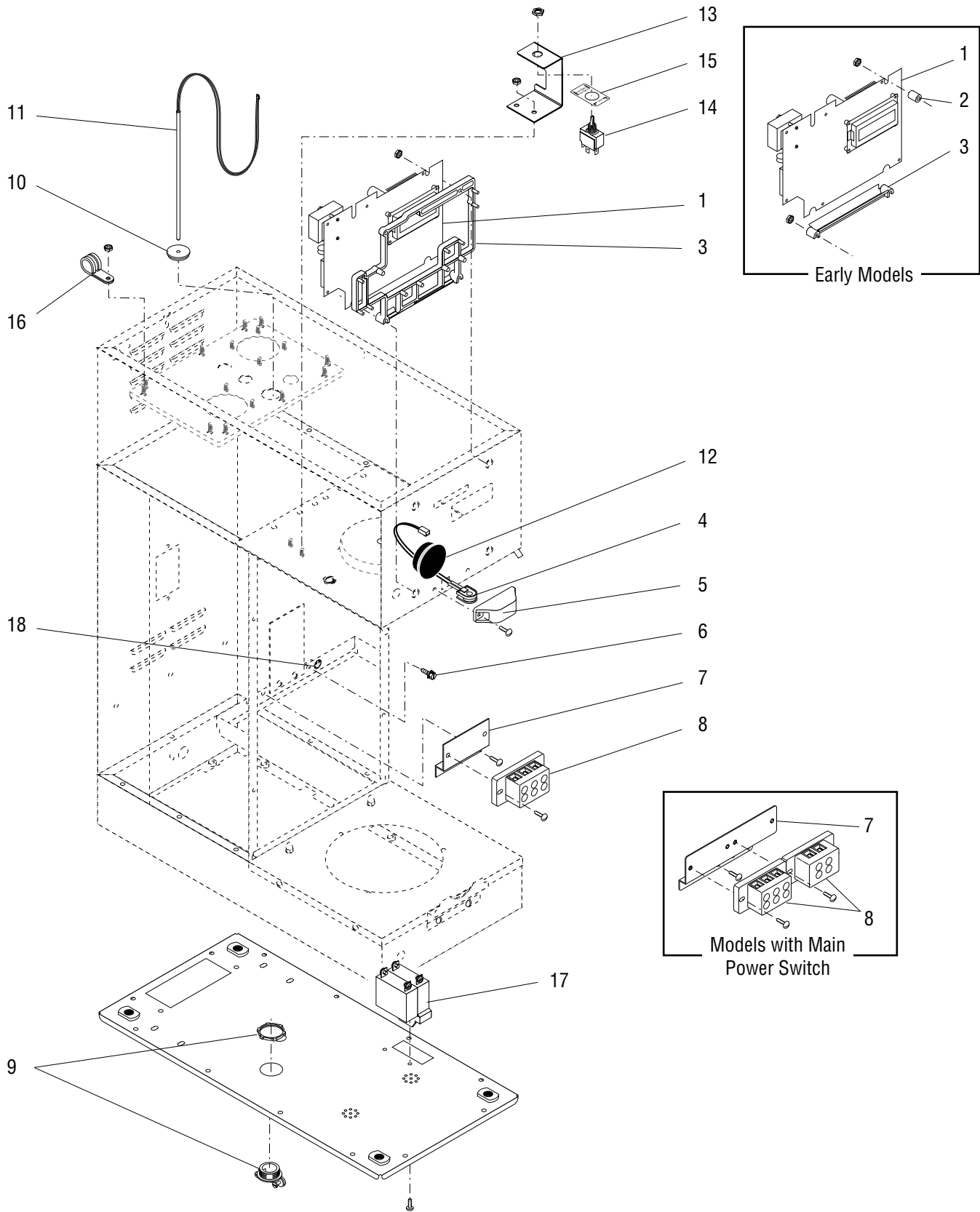


FAUCET

ITEM	PART NO.	QTY.	DESCRIPTION
1	29075.0000	1	Faucet Assy (Includes Items 2 Thru 9)
2	02861.0000	1	Handle, Faucet
3	02854.0000	1	Bonnet, Faucet
4	02595.0000	1	Spring, Faucet
5	02766.0000	1	Seat Cup, Faucet
6	02856.0002	1	Body, Faucet
7	13054.0000	1	Stem, Faucet
8	02858.0000	1	Pin, Spring .125" Dia. x .50"
9	02594.0000	1	Faucet Stem W/Pin (Includes Items 7 & 8)
10	20976.0065*	1	Tube, Silicone .38" I.D. x .62" O.D. x 12" (Order Item 16) (Cut As Required)
11	12422.0001	2	Clamp, Hose .59" x .66" I.D.
12	00942.0000	1	Nut, Hex Brass .50"
13	01532.0005	1	Washer, Intl Tooth .50" Lock
14	20976.0036*	1	Tube, Silicone .38" I.D. x .62" O.D. x 36" (Order Item 16) (Optional Lower Faucet) (Cut As Required)
15	01532.0005	1	Washer, Intl Tooth .50" Lock (Late models)
16	20976.1000	1	Tube, Silicone .38" I.D. x .62" O.D. x 12.0"
	20976.1001	1	Tube, Silicone .38" I.D. x .62" O.D. x 36.0"
	20976.1002	1	Tube, Silicone .38" I.D. x .62" O.D. x 120.0"
17	28706.0002	-	Faucet Kit (Includes Items 2, 4, 5, 7 & 8)
18	M2517.0000	-	Sealant, Pipe 6 ml.

} Not Illustrated

* Indicates the part number listed is for reference only. See DESCRIPTION for possible service replacement.



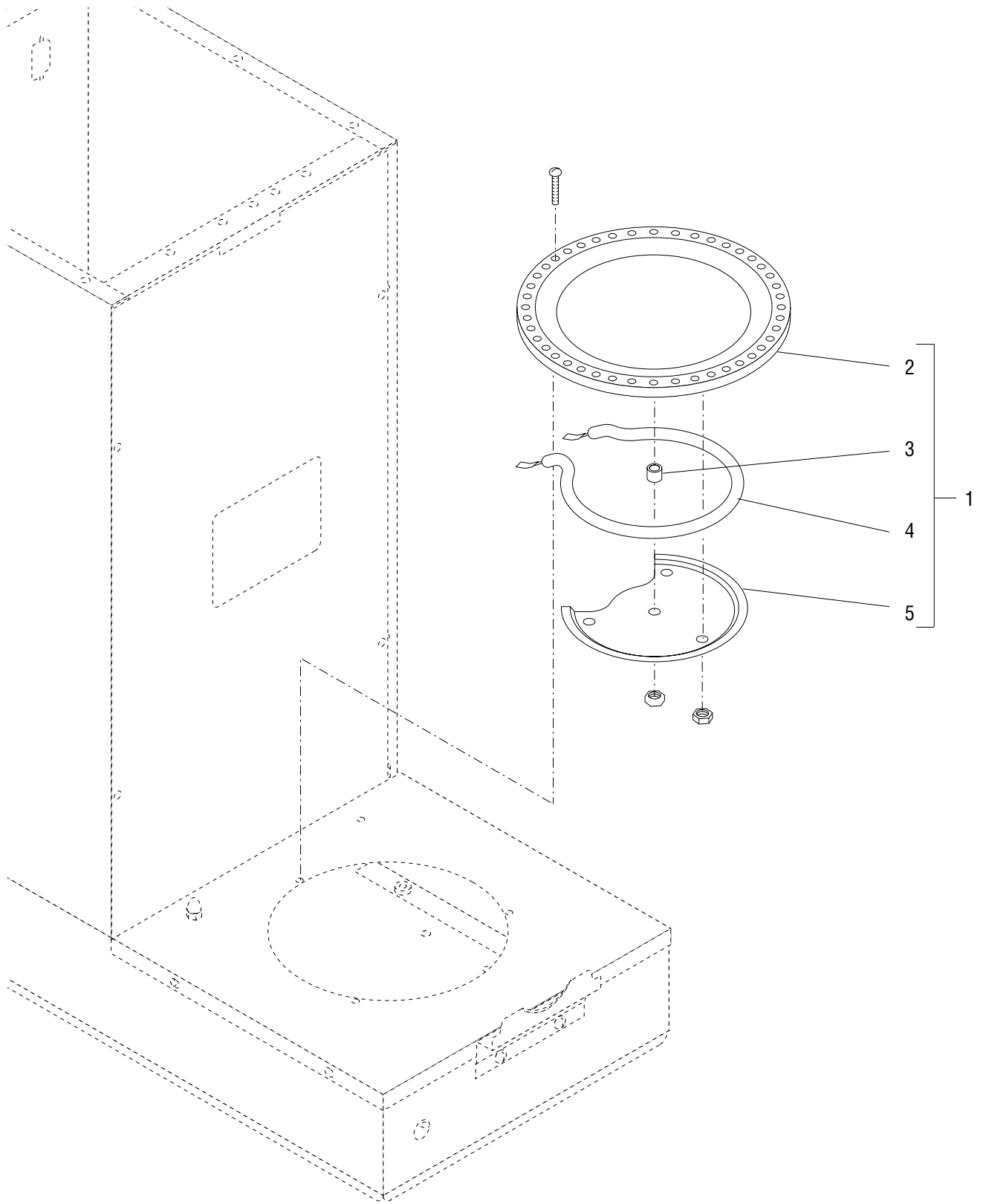
P3435.50

ELECTRICAL CONTROLS

ITEM	PART NO.	QTY.	DESCRIPTION
1	29969.1014	1	Circuit Board, Main control (Used in Product # 36100.0000)
	29969.1000	1	Circuit Board, Main control (Used in Product # 36100.0010)
	00973.0000	2	Nut, Keps #6 - 32
2	01533.0010	2	Spacer (Early models)
3	29970.0000	1	Mount, Circuit Board (Early models)
	40726.0000	1	Mount, Circuit Board (Late models)
	00973.0000	2	Nut, Keps #6 - 32
4	-----	1	Sensing Coil WO/Leads (Early models) (Not available order item 23)
	32572.1001	1	Sensing Coil W/Violet Leads (Includes plug below) (Late models)
	20621.0000	1	Plug, hole .203" Dia. (Not illustrated)
5	32573.0000	1	Cover, Sensing Coil
	01382.0007	2	Screw, Truss Head #6 - 32 x .38"
6	01309.0000	1	Ground Screw W/Terminal Washer #10 - 32 x .50"
7	23004.0000	1	Bracket, Terminal Block Mounting
	39248.0001	1	Bracket, Terminal Block Mounting (Models with Main Power Switch)
	02308.0000	2	Screw, Pan Head #8 - 32 x .38"
8	07038.0000	1	Terminal Block, 3 Pole (BLK/RED/WHI)
	01106.0001	1	Terminal Block, 2 Pole (BLK/RED)
	01317.0000	2	Screw, Truss Head #8 - 32 x .50"
9	01590.0000	1	Connector, Cable
10	12570.0000	1	Grommet, Temperature Sensor
11	29327.0001	1	Probe, Temperature & Dry Plug
12	32018.0000	1	Bumper (Early models)
13	37754.1000	1	Bracket W Decal, Switch (Includes item 15)
	00970.0000	2	Nut, Keps #8 - 32
14	23522.0001	1	Switch, Toggle
15	34056.0001	1	Decal, Switch
16	04831.0000	1	Clamp, SST Rubber Coating (Used To Hold Electrical Wires In Place)
17	38894.0001	1	Switch, Main Power (Not used on all models)
	01308.0002	2	Screw, Truss Head #6-32 x .25" (Switch Mounting)
	01327.0000	4	Screw, Pan Head #10-32 x .375"
	01512.0000	4	Lockwasher, External Tooth #10
18	00824.0002	1	Decal, Ground

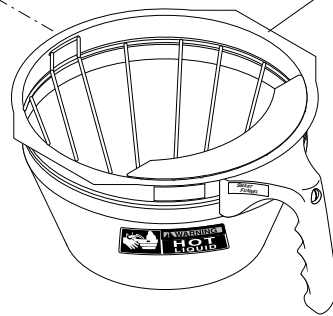
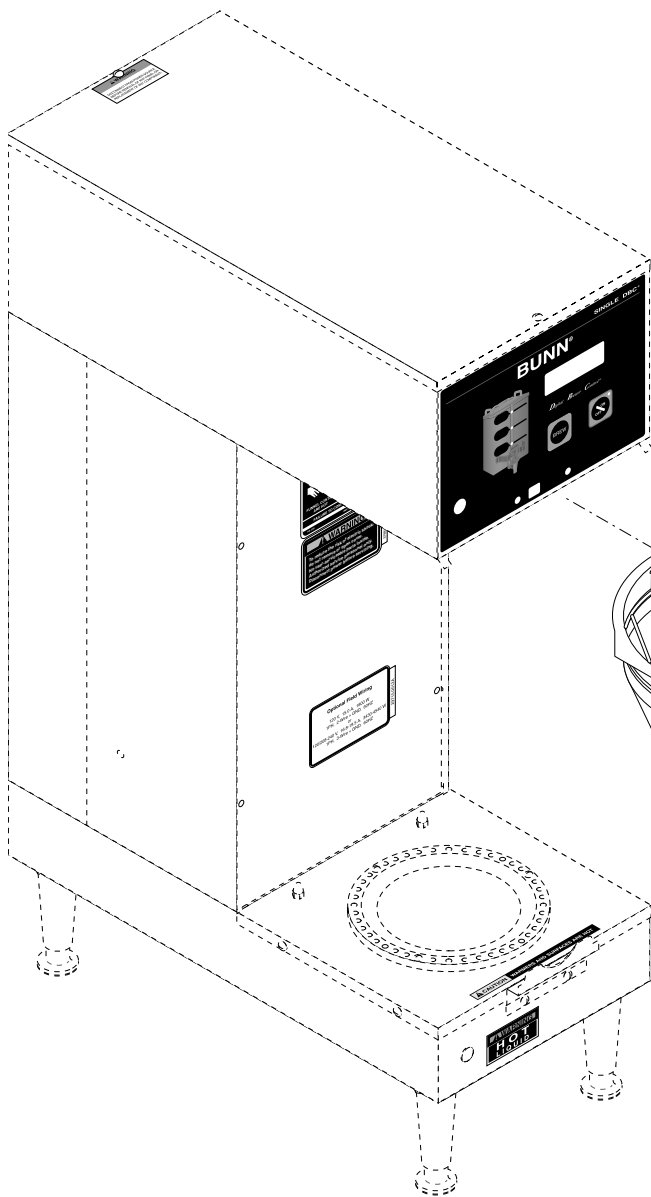
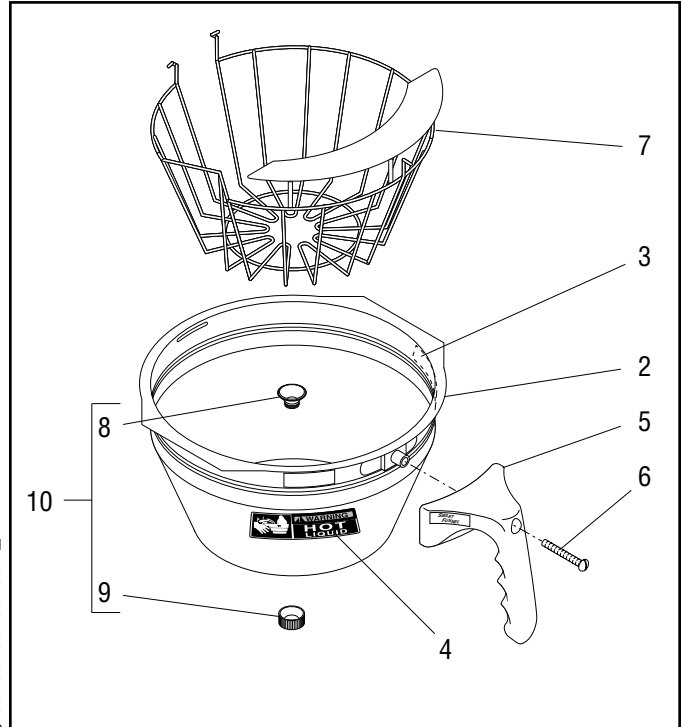
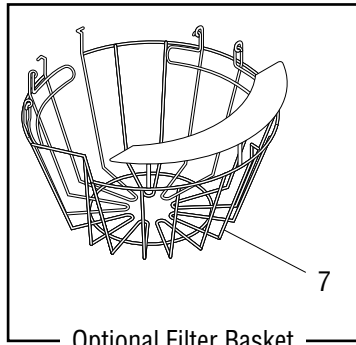
Note: The following parts are not illustrated

19	32647.0000	1	Wiring Harness, Main
20	37917.0000	1	Wiring Harness, Voltage Select
21	37859.0002	1	Wiring Harness, Main Power Switch
22	20630.0005	1	Cord Assy, Power
23	38338.0000	-	Kit, Funnel Sensors (Includes Funnel Sensor Coils W/Leads)



WARMER ASSEMBLIES

ITEM	PART NO.	QTY.	DESCRIPTION
1	03652.0000 01303.0000	1 3	Warmer Assy, BLK 100W 120V (Includes Items 2 Thru 5) Screw, Pan Head #4 - 40 x .50"
2	03656.0000	1	Warmer Dish, BLK - 45 Hole
3	13042.0001	1	Spacer, .174" I.D. x .188"
4	01227.0000	1	Warmer Element, 100W 120V
5	05212.0000 00970.0000	1 2	Plate, Warmer Retainer Nut, Keps #8 - 32



FUNNEL

ITEM	PART NO.	QTY.	DESCRIPTION
1	32643.0000	2	Funnel Assy, SST
	32643.0010	2	Funnel Assy W/D-Ring Basket, SST (Optional)
			} Each includes Items 2 thru 9
2	24462.0002	1	Funnel W/Decals (Includes items 3 & 4)
3	03408.0004	1	Decal, Warning-Remove Funnel
4	03409.0004	1	Decal, Warning-Hot Liquid
5	32595.0000	1	Handle, Funnel-Black
6	12499.0002	1	Screw, Round Head .25" - 20 x 1.50" BLK
7	33089.0000	1	Filter Basket w/Splash Guard
	33089.0001	1	Filter Basket w/Splash Guard & D-Rings (Optional)
8	32139.0000	1	Insert, Funnel Tip - Male (Refer to item 10)
9	32140.0000	1	Insert, Funnel Tip - Female (Refer to item 10)
10	01031.0001	-	Funnel Tip Kit (Includes items 8 & 9)

NUMERICAL INDEX

PART NO.	PAGE NO.	PART NO.	PAGE NO.	PART NO.	PAGE NO.	PART NO.	PAGE NO.
00619.0007.....	5	03652.0000.....	25	22987.1000.....	5	34868.0000.....	19
00656.0001.....	5	03656.0000.....	25	23004.0000.....	23	34956.0000.....	19
00658.0000.....	5	03803.0000.....	9	23254.0000.....	19	35052.0000.....	19
00824.0002.....	23	03807.0000.....	9	23255.0000.....	19	35052.1000.....	19
00908.0000.....	9,11	03996.0000.....	5	23256.0000.....	19	35070.0001.....	19
00916.0000.....	5	04797.0000.....	9	23522.0001.....	23	35086.0000.....	13
00942.0000.....	21	04831.0000.....	23	23717.0003.....	9	35094.0001.....	13
00946.0000.....	9	05212.0000.....	25	24462.0002.....	27	35308.1004.....	19
00970.0000.....	5,17,23,25	07038.0000.....	23	25151.0000.....	5	36088.0002.....	13
00971.0000.....	9,11	11517.0008.....	19	25766.0001.....	5	36089.0000.....	13
00973.0000.....	23	11630.0001.....	13	26528.0000.....	5	36233.1000.....	15
00976.0000.....	13	12364.0000.....	5	26622.0001.....	9	36378.0001.....	15
00985.0000.....	5	12398.0002.....	9	26846.0000.....	19	36398.0000.....	7
00986.0000.....	5	12418.0001.....	15	27370.0003.....	17	36404.1005.....	5
01031.0001.....	27	12422.0000.....	9	27744.1005.....	5	37127.0001.....	13
01075.0000.....	19	12422.0001.....	15,17,21	28526.0009.....	9	37297.0001.....	15
01082.0002.....	19	12422.0005.....	17	28526.1000.....	9	37426.1000.....	5
01106.0001.....	23	12422.0008.....	19	28526.1001.....	9	37426.1001.....	5
01227.0000.....	25	12422.0009.....	13,17	28526.1002.....	9	37517.0000.....	11
01303.0000.....	25	12499.0002.....	27	28526.1003.....	9	37541.0000.....	11
01308.0002.....	23	12565.0036.....	9	28592.0008.....	5	37754.1000.....	23
01309.0000.....	23	12570.0000.....	23	28592.1004.....	5	37761.0000.....	13
01311.0000.....	5	12756.0000.....	13	28706.0002.....	21	37766.0000.....	7
01315.0000.....	13	12757.0000.....	13	28909.0000.....	11	37844.0000.....	9
01317.0000.....	23	13042.0001.....	25	29075.0000.....	21	37859.0002.....	23
01327.0000.....	23	13054.0000.....	21	29327.0001.....	23	37881.0000.....	5,7
01347.0000.....	7	13255.0003.....	7	29421.0000.....	13	37892.0000.....	13
01382.0003.....	5	20201.5600.....	5	29710.0012.....	7	37917.0000.....	23
01382.0007.....	23	20203.0100.....	9	29969.1000.....	23	38338.0000.....	23
01501.0000.....	9	20541.0001.....	9	29969.1014.....	23	38894.0001.....	23
01512.0000.....	23	20621.0000.....	23	29970.0000.....	23	39248.0001.....	23
01514.0000.....	13	20630.0005.....	23	29973.0003.....	5	39803.0000.....	7
01520.0000.....	9	20922.1001.....	9	32018.0000.....	23	40726.0000.....	23
01522.0000.....	13	20922.1004.....	9	32043.0003.....	5	41259.1003.....	9
01532.0005.....	21	20936.1000.....	9	32139.0000.....	27	41266.0000.....	9
01533.0010.....	23	20937.0004.....	13,15	32140.0000.....	27	41280.0001.....	9
01590.0000.....	23	20976.0000.....	15	32283.0000.....	15	41640.0000.....	15
02308.0000.....	5,7,11,13,23	20976.0036.....	21	32359.0000.....	13,15	43644.0000.....	15
02324.0000.....	5	20976.0064.....	17	32572.1001.....	23	M2517.0000.....	21
02328.0003.....	9	20976.0065.....	21	32573.0000.....	23	M2522.1000.....	9
02336.0000.....	5	20976.1000.....	17,21	32591.0014.....	17		
02434.0013.....	9	20976.1001.....	15,17,21	32591.1001.....	17		
02434.1000.....	9	20976.1002.....	15,17,21	32591.1002.....	13,17		
02536.0000.....	9,13,15	21104.0003.....	7	32595.0000.....	27		
02594.0000.....	21	21104.0007.....	7	32643.0000.....	27		
02595.0000.....	21	21511.1004.....	5	32643.0010.....	27		
02766.0000.....	21	21801.0002.....	9	32647.0000.....	23		
02854.0000.....	21	22305.0000.....	19	32648.0000.....	17		
02856.0002.....	21	22728.0000.....	9	32649.0000.....	5		
02858.0000.....	21	22960.1008.....	11	33089.0000.....	27		
02861.0000.....	21	22976.0003.....	11	33089.0001.....	27		
03011.0000.....	7	22978.0000.....	11	34020.0000.....	5		
03408.0004.....	27	22979.0003.....	5	34056.0001.....	23		
03409.0004.....	27	22979.0004.....	5	34768.0001.....	13		
03633.0000.....	9	22979.0007.....	5	34867.0000.....	19		