
BUNN®

IMIX®-5S+ HOT & ICED



ILLUSTRATED PARTS CATALOG

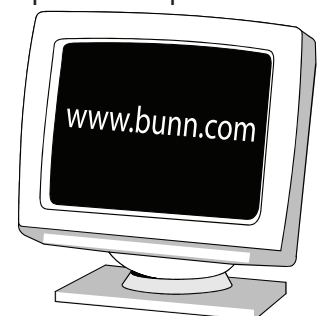
Designs, materials, weights, specifications, and dimensions for equipment or replacement parts are subject to change without notice.

BUNN-O-MATIC CORPORATION

POST OFFICE BOX 3227

SPRINGFIELD, ILLINOIS 62708-3227

PHONE: (217) 529-6601 FAX: (217) 529-6644



BUNN-O-MATIC COMMERCIAL PRODUCT WARRANTY

Bunn-O-Matic Corp. ("BUNN") warrants equipment manufactured by it as follows:

- 1) Airpots, thermal carafes, decanters, GPR servers, iced tea/coffee dispensers, MCP/MCA pod brewers thermal servers and Thermofresh servers (mechanical and digital)- 1 year parts and 1 year labor.
- 2) All other equipment - 2 years parts and 1 year labor plus added warranties as specified below:
 - a) Electronic circuit and/or control boards - parts and labor for 3 years.
 - b) Compressors on refrigeration equipment - 5 years parts and 1 year labor.
 - c) Grinding burrs on coffee grinding equipment to grind coffee to meet original factory screen sieve analysis - parts and labor for 4 years or 40,000 pounds of coffee, whichever comes first.

These warranty periods run from the date of installation BUNN warrants that the equipment manufactured by it will be commercially free of defects in material and workmanship existing at the time of manufacture and appearing within the applicable warranty period. This warranty does not apply to any equipment, component or part that was not manufactured by BUNN or that, in BUNN's judgment, has been affected by misuse, neglect, alteration, improper installation or operation, improper maintenance or repair, non periodic cleaning and descaling, equipment failures related to poor water quality, damage or casualty. In addition, the warranty does not apply to replacement of items subject to normal use including but not limited to user replaceable parts such as seals and gaskets. This warranty is conditioned on the Buyer 1) giving BUNN prompt notice of any claim to be made under this warranty by telephone at (217) 529-6601 or by writing to Post Office Box 3227, Springfield, Illinois 62708-3227; 2) if requested by BUNN, shipping the defective equipment prepaid to an authorized BUNN service location; and 3) receiving prior authorization from BUNN that the defective equipment is under warranty.

THE FOREGOING WARRANTY IS EXCLUSIVE AND IS IN LIEU OF ANY OTHER WARRANTY, WRITTEN OR ORAL, EXPRESS OR IMPLIED, INCLUDING, BUT NOT LIMITED TO, ANY IMPLIED WARRANTY OF EITHER MERCHANTABILITY OR FITNESS FOR A PARTICULAR PURPOSE. The agents, dealers or employees of BUNN are not authorized to make modifications to this warranty or to make additional warranties that are binding on BUNN. Accordingly, statements by such individuals, whether oral or written, do not constitute warranties and should not be relied upon.

If BUNN determines in its sole discretion that the equipment does not conform to the warranty, BUNN, at its exclusive option while the equipment is under warranty, shall either 1) provide at no charge replacement parts and/or labor (during the applicable parts and labor warranty periods specified above) to repair the defective components, provided that this repair is done by a BUNN Authorized Service Representative; or 2) shall replace the equipment or refund the purchase price for the equipment.

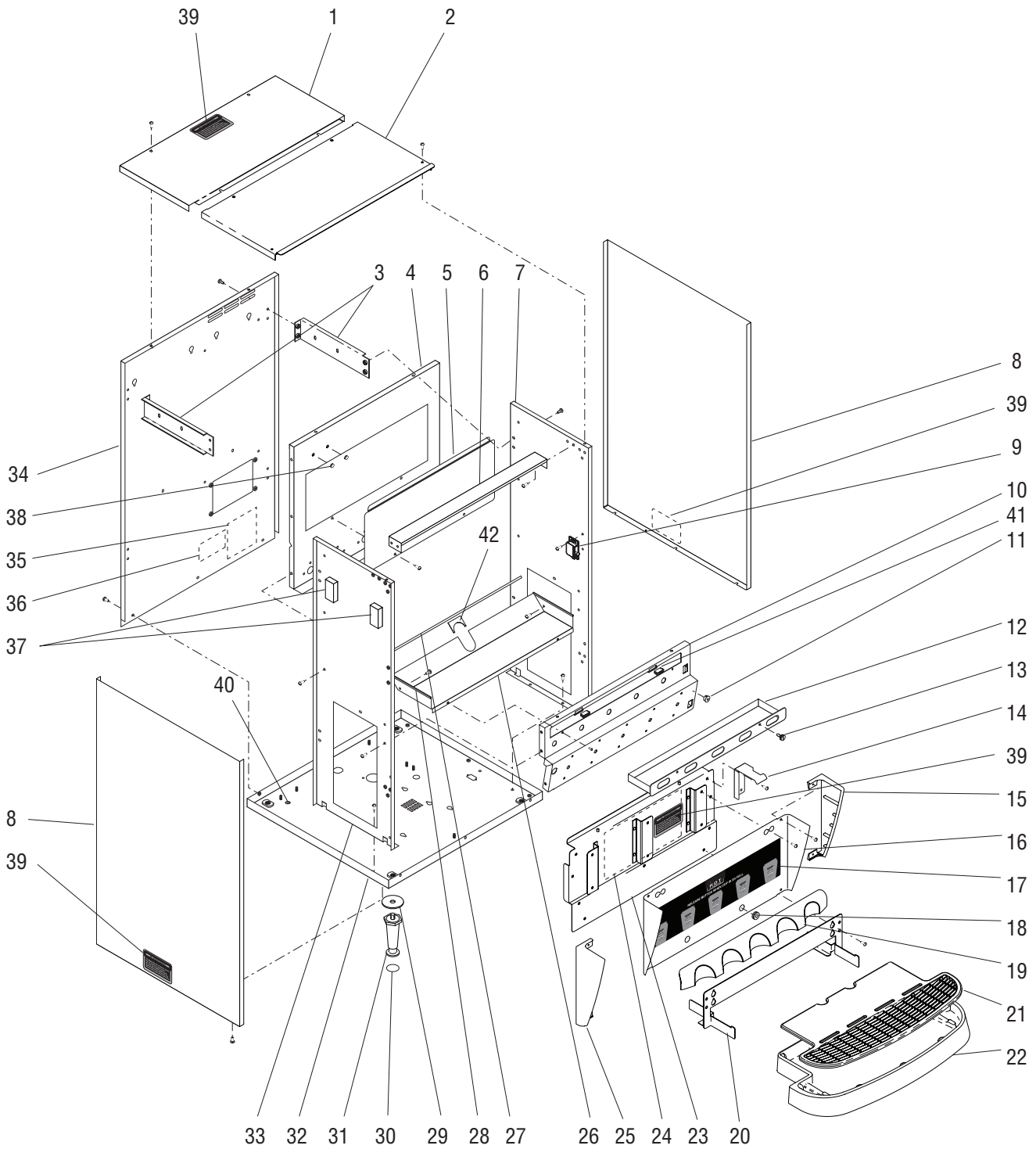
THE BUYER'S REMEDY AGAINST BUNN FOR THE BREACH OF ANY OBLIGATION ARISING OUT OF THE SALE OF THIS EQUIPMENT, WHETHER DERIVED FROM WARRANTY OR OTHERWISE, SHALL BE LIMITED, AT BUNN'S SOLE OPTION AS SPECIFIED HEREIN, TO REPAIR, REPLACEMENT OR REFUND.

In no event shall BUNN be liable for any other damage or loss, including, but not limited to, lost profits, lost sales, loss of use of equipment, claims of Buyer's customers, cost of capital, cost of down time, cost of substitute equipment, facilities or services, or any other special, incidental or consequential damages.

392, A Partner You Can Count On, Air Infusion, AutoPOD, AXIOM, BrewLOGIC, BrewMETER, Brew Better Not Bitter, BrewWISE, BrewWIZARD, BUNN Espresso, BUNN Family Gourmet, BUNN Gourmet, BUNN Pour-O-Matic, BUNN, BUNN with the stylized red line, BUNNlink, Bunn-O-Matic, Bunn-O-Matic, BUNNserve, BUNNSERVE with the stylized wrench design, Cool Froth, DBC, Dr. Brew stylized Dr. design, Dual, Easy Pour, EasyClear, EasyGard, FlavorGard, Gourmet Ice, Gourmet Juice, High Intensity, iMIX, Infusion Series, Intellisteam, My Café, Phase Brew, PowerLogic, Quality Beverage Equipment Worldwide, Respect Earth, Respect Earth with the stylized leaf and coffee cherry design, Safety-Fresh, savemycoffee.com, Scale-Pro, Silver Series, Single, Smart Funnel, Smart Hopper, SmartWAVE, Soft Heat, SplashGard, The Mark of Quality in Beverage Equipment Worldwide, ThermoFresh, Titan, trifacta, Velocity Brew, Air Brew, Beverage Bar Creator, Beverage Profit Calculator, Brew better, not bitter., BUNNSource, Coffee At Its Best, Cyclonic Heating System, Daypart, Digital Brewer Control, Element, Milk Texturing Fusion, Nothing Brews Like a BUNN, Pouring Profits, Signature Series, Sure Tamp, Tea At Its Best, The Horizontal Red Line, Ultra are either trademarks or registered trademarks of Bunn-O-Matic Corporation. The commercial trifacta® brewer housing configuration is a trademark of Bunn-O-Matic Corporation.

TABLE OF CONTENTS

TITLE	PAGE NO.
Auger Drive and Hopper Assembly	16
Covers, Panels and Drip Tray	4
Dispense Valves and Lines.....	30
Door, Lamp, Dispense Switches and Panels (Left and Right Hinged Doors).....	8
Door, Lamp, Dispense Switches and Panels (Top Hinged Doors)	12
Electrical Controls	32
Hot Tank Assembly	26
Mixing/Whipper Chambers and Drive Motor	18
Numerical Index.....	34
Tank Mounting and Lines	20
Warm Tank Air Duct and Fan.....	24
Warm Tank Assembly	28



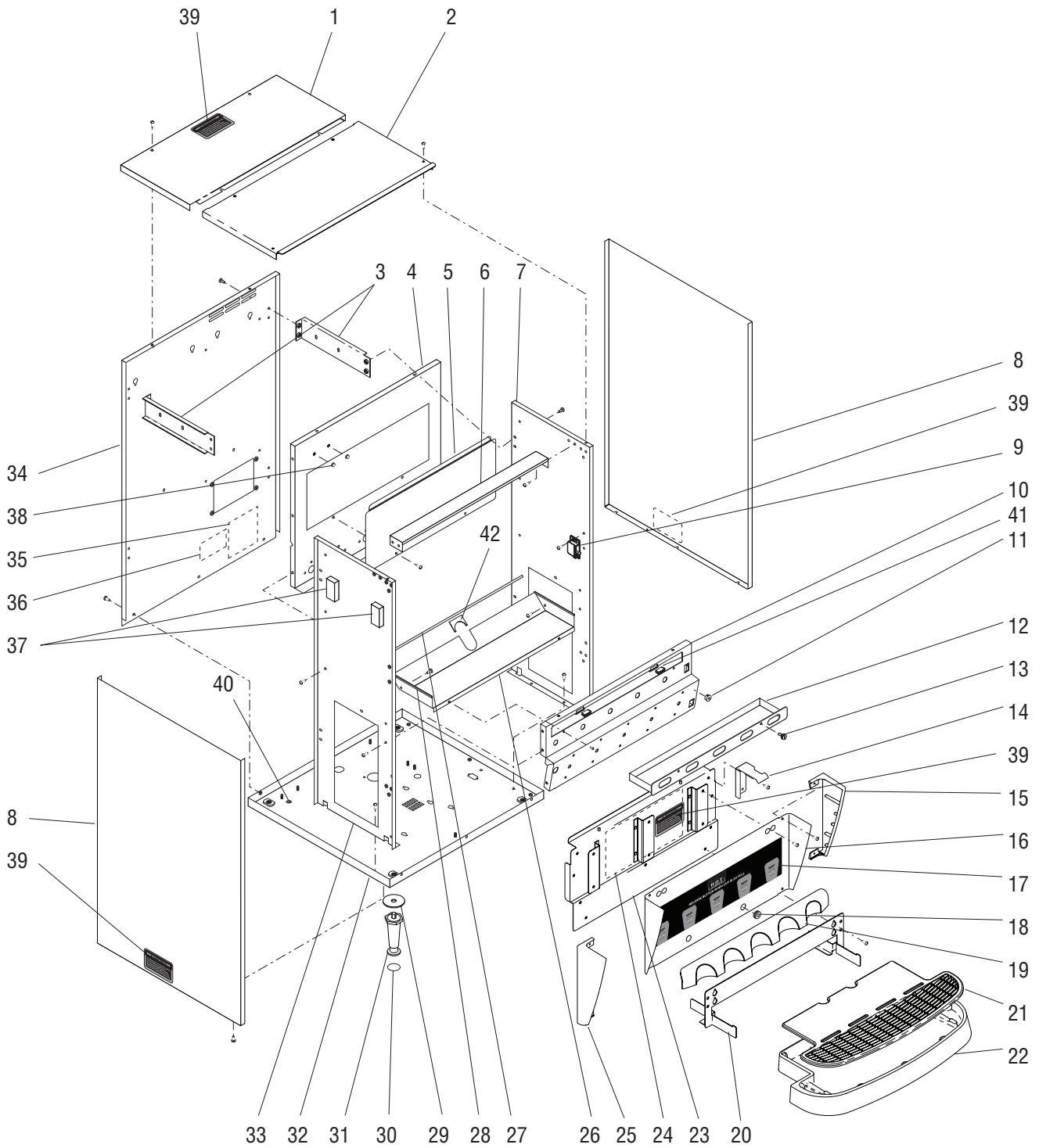
COVERS, PANELS AND DRIP TRAY

ITEM	PART NO.	QTY.	DESCRIPTION
1	35916.1001	1	Cover, Top Rear - BLK (Includes item 39)
	01311.0003	2	Screw, Truss Head BLK #8-32 x .25"
2	35915.1001	1	Cover, Top Front - BLK (Models w/ Left or Right Hinged Doors)
	42471.0001	1	Cover, Top Front - BLK (Models w/ Top Hinged Doors)
	01311.0003	2	Screw, Truss Head BLK #8-32 x .25"
	01382.0002	2	Screw, Truss Head BLK #6-32 x .375"
3	35926.0000	4	Bracket, Side Support
	01311.0001	8	Screw, Truss Head - Locking #8-32 x .25"
4	35927.0002	1	Panel, Inner Rear
	01311.0001	6	Screw, Truss Head - Locking #8-32 x .25"
5	36232.0000	1	Panel, Inner Access
	01311.0000	2	Screw, Truss Head #8-32 x .25"
6	36648.0000	1	Strap, Top Support
	01311.0001	4	Screw, Truss Head - Locking #8-32 x .25"
7	36230.0001	1	Panel, Inner Right
	01311.0001	2	Screw, Truss Head - Locking #8-32 x .25"
8	35912.1001	2	Panel, Side (Models w/ Left or Right Hinged Doors)
	35912.1012	1	Panel, Right Side (Models w/ Top Hinged Doors)
	35912.1014	1	Panel, Left Side (Models w/ Top Hinged Doors)
	01311.0003	6	Screw, Truss Head BLK #8-32 x .25"
9	34666.0000	1	Catch, Door Latch
	02336.0000	2	Screw, Truss Head #4-40 x .375"
	01509.0001	2	Lockwasher, Int.-tooth #4
10	35929.0000	1	Panel, Whipper Motor (Early Models w/ screws)
	35929.0004	1	Panel, Whipper Motor (Early Models w/ magnets)
	01311.0001	8	Screw, Truss Head - Locking #8-32 x .25"
11	00669.0005	1	Plug, Hole .438" Nkl. Pltd.
12	36235.0000*	1	Tray, Powder Box (Early Models w/ screws)
	36235.0002	1	Tray, Powder Box (Early Models w/ magnets)
13	37988.0000	2	Screw, Captive #10-32 x .50" (Early Models)
	34998.0000	2	E-Ring, Retaining .127" OD
14	36644.0000	1	Bracket, Door Locking (Right side)
	36644.0001	1	Bracket, Door Locking (Left side)
	01311.0001	2	Screw, Truss Head - Locking #8-32 x .25"
15	36743.0001	1	Cap, Splash Panel Right
	44224.0000	2	Screw, Pan Head Plastite #6 x .375"
16	37180.1000	1	Panel W/Decal, Splash (Includes items 19, 21, 22, 23, & 25)
	01311.0001	2	Screw, Truss Head - Locking #8-32 x .25"
17	28328.0010	1	Decal, Caution-Hot Liquid & Cup Placement
18	02536.0000	2	Grommet, Silicone .375" ID
19	36742.0000	1	Guide, Cup

(Continued)

* Indicates the part number listed is for reference only. See DESCRIPTION for possible service replacement.

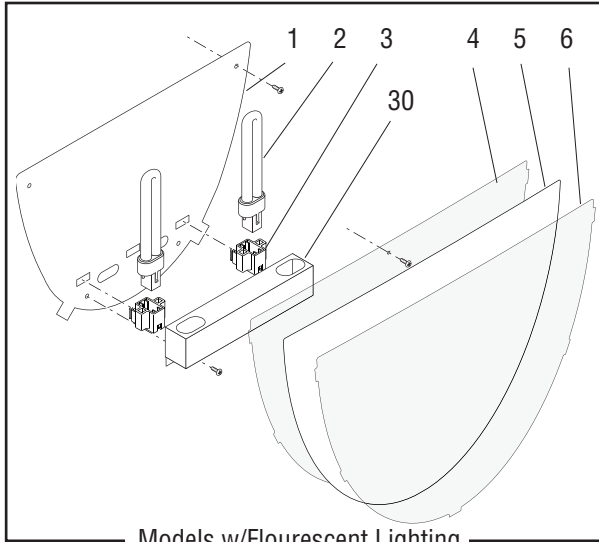
(Continued)



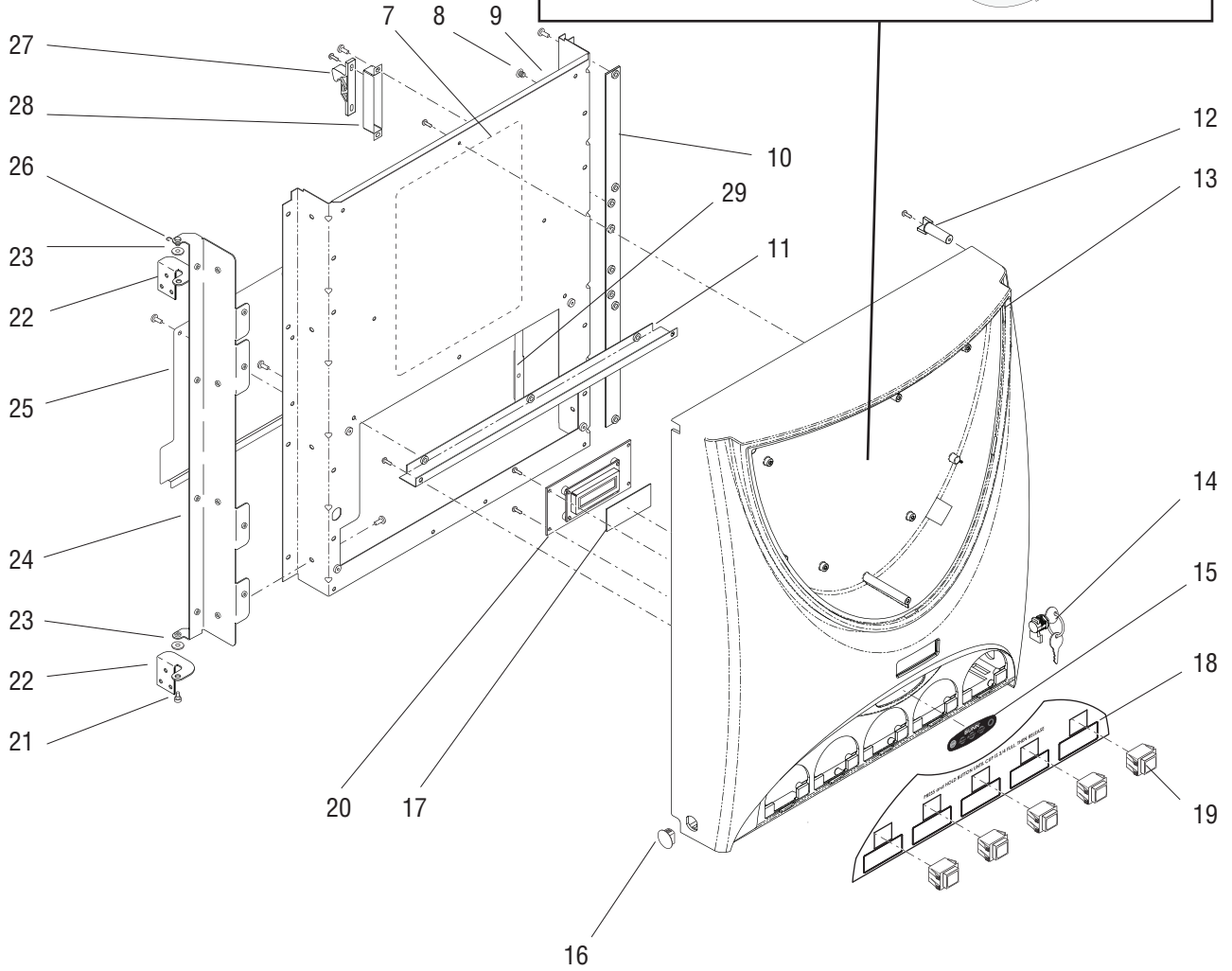
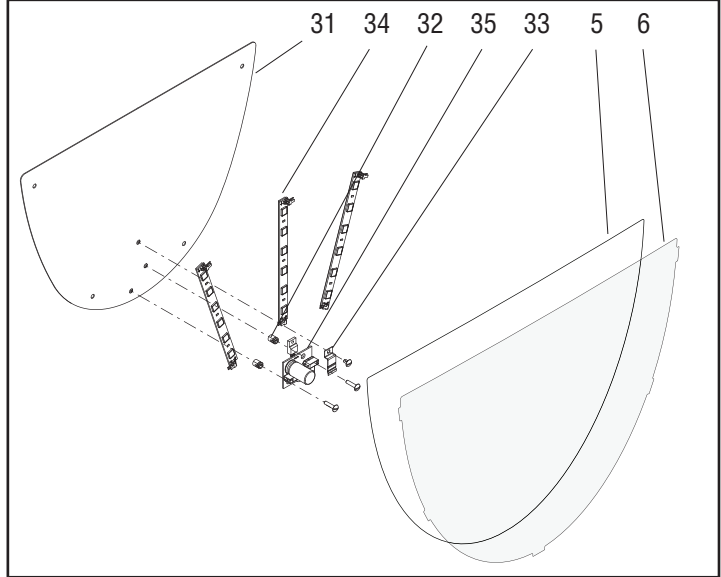
COVERS, PANELS AND DRIP TRAY

ITEM	PART NO.	QTY.	DESCRIPTION
20	37065.0000	1	Bracket, Drip Tray
	01311.0001	2	Screw, Truss Head - Locking #8-32 x .25"
21	36739.0000	1	Cover, Drip Tray
22	36670.0000	1	Drip Tray
23	36224.1002	1	Panel, Lower Access (Includes item 24)
	01311.0000	3	Screw, Truss Head #8-32 x .25"
24	38986.0002*	1	Schematic 120V (Doors with Fluorescent Lighting)
	38986.0012*	1	Schematic 120V (Doors with LED Lighting)
25	36743.0000	1	Cap, Splash Panel Left
	44224.0000	2	Screw, Pan Head Plastite #6 x .375"
26	36240.0001	1	Shelf, Powder Box
	01311.0001	2	Screw, Truss Head - Locking #8-32 x .25"
	02336.0000	2	Screw, Truss Head #4-40 x .375"
27	02434.0018*	1	Gasket, U-Channel 17.5" (Order item 44)
28	02434.0008*	2	Gasket, U-Channel 4.60" (Order item 44)
29	01526.0001	4	Washer, Flat .438" ID x 1.88" OD
30	03996.0000	4	Pad, Rubber 1.25" Dia. (Also see item 43)
31	26528.0000	4	Leg, 4.0" Adjustable (Also see item 43)
32	35924.0000	1	Panel, Bottom
33	36229.0002	1	Panel, Inner Left
	01311.0001	2	Screw, Truss Head - Locking #8-32 x .25"
34	35925.1003	1	Panel Assembly, Rear (Includes items 35 and 36)
	01311.0003	11	Screw, Truss Head BLK #8-32 x .25"
35	00831.0000	1	Decal, Warning-Electrical
36	00656.0001	1	Decal, Comply to Plumbing Code
37	36896.0000	4	Pad, Styro 1.0" x 2.0" x .5"
38	00619.0002	2	Plug, Hole .25" Dia.
39	37881.0000	4	Decal, No Serviceable Parts
40	00824.0002	1	Decal, Grounding
41	21436.0000	2	Magnetic Catch (Late Models)
42	38345.0000	1	Filler Plate
43	13255.0003	-	Kit, Leg 4.0" Adjustable (Includes 4 each of items 30 and 31)
44	02434.1000	-	Gasket, U-Channel - 18" LG
	02434.1001	-	Gasket, U-Channel - 36" LG

* Indicates the part number listed is for reference only. See DESCRIPTION for possible service replacement.



Models w/Flourescent Lighting



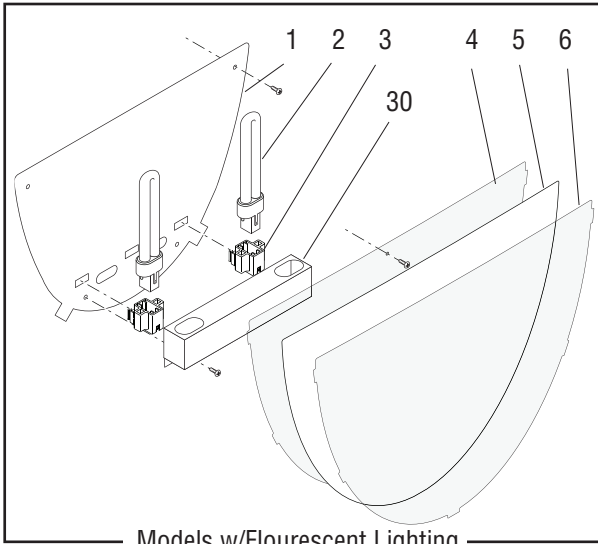
**DOOR, LAMP, DISPENSE SWITCHES AND PANELS
(LEFT & RIGHT HINGED DOORS)**

ITEM	PART NO.	QTY.	DESCRIPTION
1	36656.0003	1	Panel, Lamp (Doors with Fluorescent Lighting)
	01360.0002	4	Screw, Pan Head Plascrew #6 - 32 x .375"
2	32806.0000	2	Lamp, Fluorescent - 7 Watts (Doors with Fluorescent Lighting)
3	32807.0001	2	Lamp Holder, Fluorescent (Doors with Fluorescent Lighting)
4	36650.0000	1	Lens, Fixed
	02336.0000	2	Screw, Truss Head #4-40 x .375"
5	36768.0006	1	Display, Graphics
6	36662.0000	1	Lens, Removable (Doors with Fluorescent Lighting)
	36650.0001	1	Lens, Removable (Doors with LED Lighting)
7	37254.0003	1	Decal, Cleaning
8	36149.0000	8	Fastener, Snap-in .197" Hole
9	36667.1000	1	Panel, Door - Upper (Includes item 7)(Right Hinged Doors)
	36667.1002	1	Panel, Door - Upper (Includes item 7)(Left Hinged Doors)
	01360.0002	10	Screw, Pan Head Plascrew #6 - 32 x .375"
	01311.0001	19	Screw, Truss Head Locking #8-32 x .25"
10	36658.0000	1	Flange, Door
11	36734.0000*	1	Bracket, Inner Panel
	01360.0002	2	Screw, Pan Head Plascrew #6 - 32 x .375"
12	36244.0000	1	Plug, Door Hinge
	01360.0002	1	Screw, Pan Head Plascrew #6 - 32 x .375"
13	37096.0000	1	Door
14	32863.1000	1	Keylock W/Keys, Door
	28095.0000	1	Key Set
15	36231.0000	1	Membrane Switch
16	00669.0004	1	Plug, .75" x .625" hole
17	37013.0000	1	Cover, LCD Door Lens
18	39046.0000	1	Switch Plate Assy.
19	28296.0001	3	Switch, Dispense, Red
	28296.0003	2	Switch, Dispense, Blue
20	38832.1000	1	Circuit Board, Display
	01311.0000	4	Screw, Truss Head #8-32 x .25"
21	24457.0002	1	Screw, .25" Shoulder #8-32
22	36647.0000	2	Bracket, Hinge (Right side Hinge)
	36647.0001	2	Bracket, Hinge (Left side Hinge)
	01311.0001	6	Screw, Truss Head #8-32 x .25" Locking
23	34362.0000	2	Bushing, Hinge

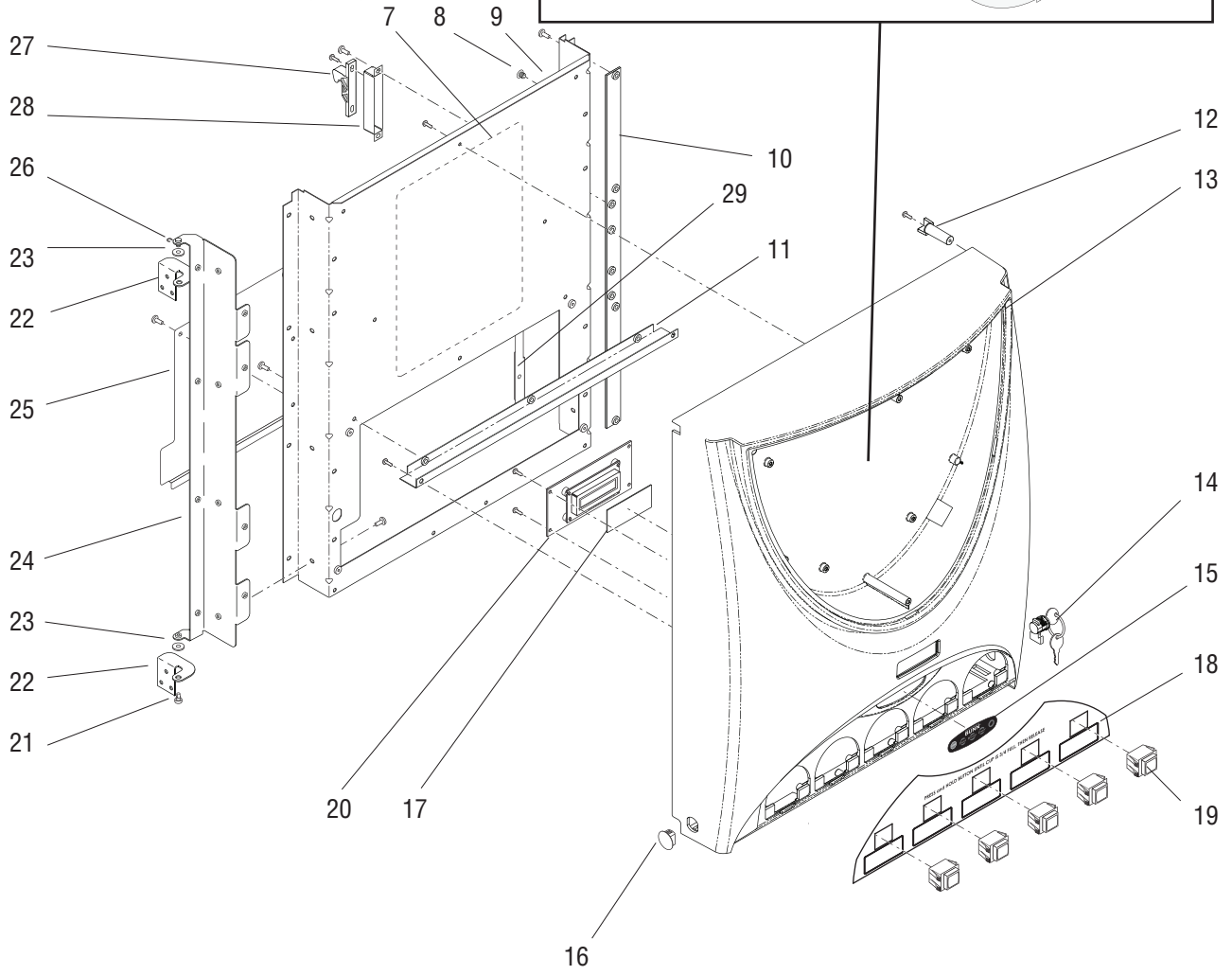
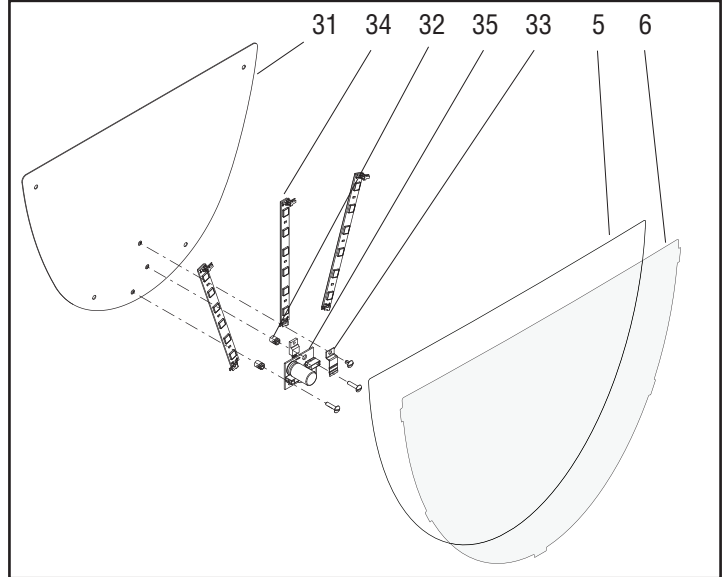
(Continued)

* Indicates the part number listed is for reference only. See DESCRIPTION for possible service replacement.

(Continued)



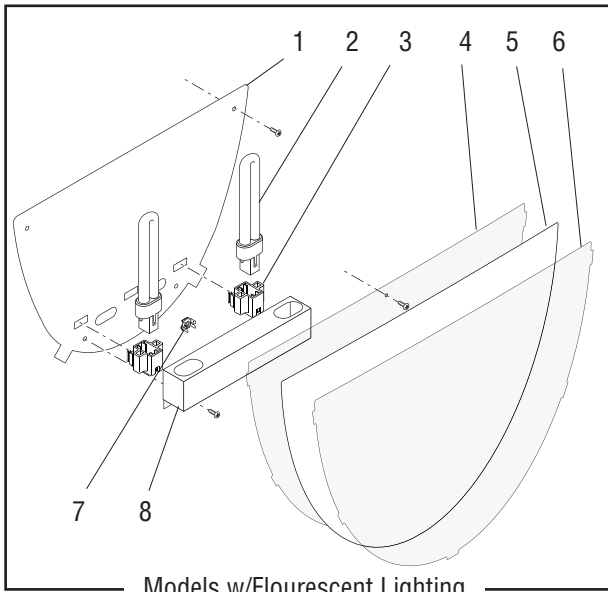
Models w/Flourescent Lighting



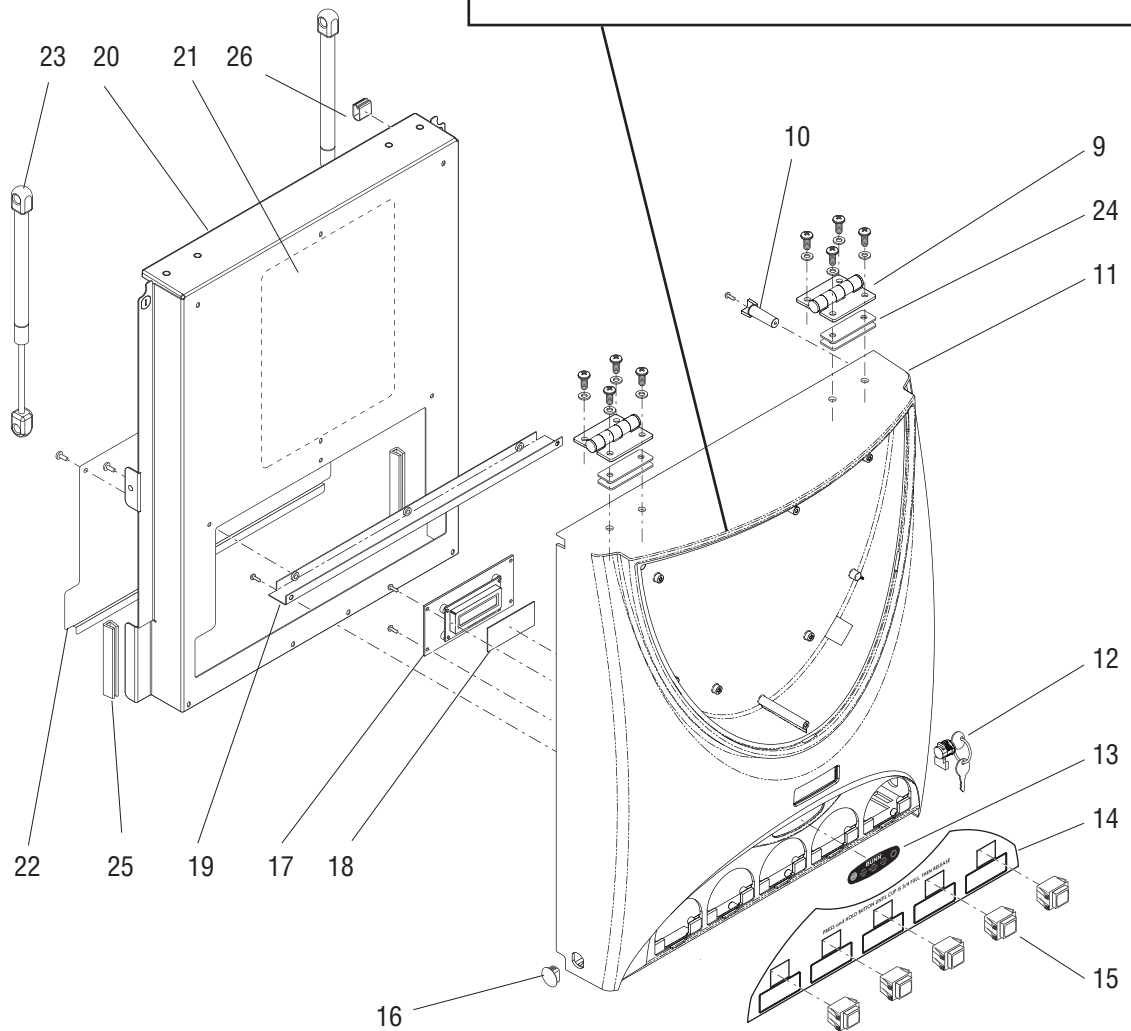
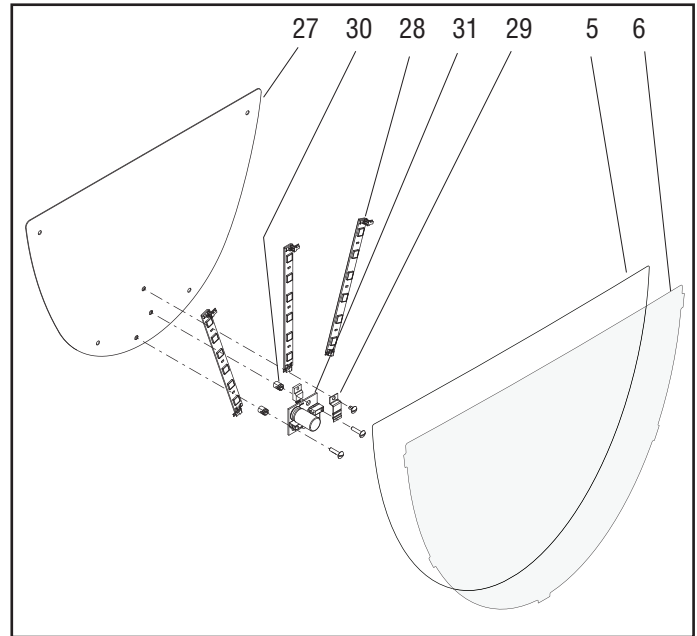
**DOOR, LAMP, DISPENSE SWITCHES AND PANELS
(LEFT & RIGHT HINGED DOORS)**

ITEM	PART NO.	QTY.	DESCRIPTION
24	36661.0002	1	Flange, Door Hinge (Left side Hinge)
	36661.0000	1	Flange, Door Hinge (Right side Hinge)
25	36659.0000	1	Panel, Door - Lower (Right Hinged Doors)
	36659.0002	1	Panel, Door - Lower (Left Hinged Doors)
	01311.0000	4	Screw, Truss Head #8-32 x .25"
26	01403.0000	1	E-Ring, External .188" Shaft
27	34667.0000	1	Keeper, Door Latch
	02336.0000	2	Screw, Truss Head #4-40 x .375"
28	36669.0000	1	Bracket, Keeper Mounting (Right Hinged Doors)
	39038.0000	1	Plate, Keeper Mounting (Left Hinged Doors)
	01311.0001	2	Screw, Truss Head #8-32 x .25" Locking
29	40031.1000	1	Baffle Kit, Left Hand Hinge
	40031.1001	1	Baffle Kit, Right Hand Hinge
30	40032.0002	1	Cover, Light (Doors with Fluorescent Lighting)
31	46324.0001	1	Panel, Lamp (Doors with LED Lighting)
	01360.0002	4	Screw, Pan Head Plascrew #6 - 32 x .375"
32	42593.0000	3	CBA, 6 LED
33	41244.0000	1	Clip
	01308.0002	1	Screw, Truss Head 6-32 x .25" Lkg
34	29081.0005	2	Spacer
35	48005.0001	1	CBA, Backlight Regulator
	02367.0002	2	Screw, Truss Head 6-32 x .62" Lkg
NOTE: The following items are not illustrated			
36	26444.0000	1	Bushing, Strain Relief (Doors with Fluorescent Lighting)
	47555.0000	1	Bushing, Strain Relief (Doors with LED Lighting)
37	36888.0000	1	Wiring Harness, Door Interconnect 120V (Doors with Fluorescent Lighting)
	47311.0001	1	Wiring Harness, Door Interconnect 120V (Doors with LED Lighting)
38	36887.0003	1	Wiring Harness, Backlight (Doors with Fluorescent Lighting)
39	26537.0000	1	Decal, Flavors (Almond Amaretto, Cappuccino, French Vanilla, Hazelnut, Hot Chocolate and Raspberry Mocha)
	26537.0001	1	Decal, Flavors (Swiss Mocha, Mocha, Raspberry Vanilla, Irish Creme, Coffee and Original)
	26537.0003	1	Decal, Flavors (White Chocolate, Cinnamon Vanilla Nut, Decaf, Regular, French Vanilla and Hot Chocolate)
	26537.0039	1	Decal, Iced Coffee Flavors (Espresso Latte, Mocha Latte, Colombian, Dark Roast, Raspberry Coffee, Hazelnut Coffee, French Vanilla Latte, Caramel Latte, Chai Tea Latte, Horchatta)
40	40001.1000	-	Kit, Switch Bezel (Includes 2 red and 3 blue bezels to indicate all hot or all cold beverages)
41	42609.0000	1	Wiring Harness, LED to CBA (Doors with LED Lighting)
	42609.0001	1	Wiring Harness, LED to LED (Doors with LED Lighting)

* Indicates the part number listed is for reference only. See DESCRIPTION for possible service replacement.



Models w/Flourescent Lighting



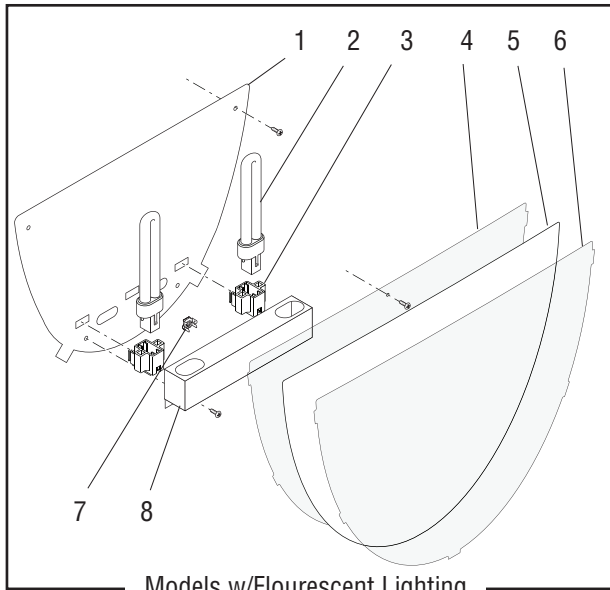
**DOOR, LAMP, DISPENSE SWITCHES AND PANELS
(TOP HINGED DOORS)**

ITEM	PART NO.	QTY.	DESCRIPTION
1	36656.0003	1	Panel, Lamp (Doors with Fluorescent Lighting)
	44224.0000	4	Screw, Pan Head Plastite #6 x .375"
2	32806.0000	2	Lamp, Fluorescent - 7 Watts (Doors with Fluorescent Lighting)
3	32807.0001	2	Lamp Holder, Fluorescent (Doors with Fluorescent Lighting)
4	36650.0000	1	Lens, Fixed
	02336.0000	2	Screw, Truss Head #4-40 x .375"
5	36768.0000	1	Display, Graphics
	36768.0005	1	Display, Iced Coffee Graphics
6	36662.0000	1	Lens, Removable (Doors with Fluorescent Lighting)
	36650.0001	1	Lens, Removable (Doors with LED Lighting)
7	28335.0000	1	Clip, Ground (Doors with Fluorescent Lighting)
8	40032.0002	1	Bracket (Doors with Fluorescent Lighting)
9	43514.0001	2	Hinge
	41923.0000	8	Screw, Pan Head BLK .25-20 x
	41921.0000	8	Washer
10	36244.0000	2	Plug, Door Hinge
	01360.0002	2	Screw, Pan Head Plascrew #6 - 32 x .375"
11	37096.0003	1	Door
12	32863.1000	1	Keylock W/Keys, Door (Not used on models without door locks)
	28095.0000	1	Key Set
13	36231.0000	1	Membrane Switch
14	38923.0001*	1	Plate, Switch
15	28296.0002	5	Switch, Dispense
16	00669.0004	1	Plug, .75" x .625" hole (One additional used on models without door locks)
17	38832.1000	1	Circuit Board, Displap
	44224.0000	4	Screw, Pan Head Plastite #6 x .375"
18	37013.0000	1	Cover, LCD Door Lens
19	36734.0000	1	Bracket, Inner Panelp
	44224.0000	2	Screw, Pan Head Plastite #6 x .375"
20	41564.0001	1	Panel, Door - Upper (Includes item 21)
	44224.0000	8	Screw, Pan Head Plastite #6 x .375"
21	37254.0003	1	Decal, Cleaning
22	36659.0002	1	Panel, Door - Lower
	01311.0000	2	Screw, Truss Head #8-32 x .25"
	01311.001	1	Screw, Truss Head Locking #8-32 x .25"
23	42487.0000	2	Gas Spring
24	44095.0000	4	Shim

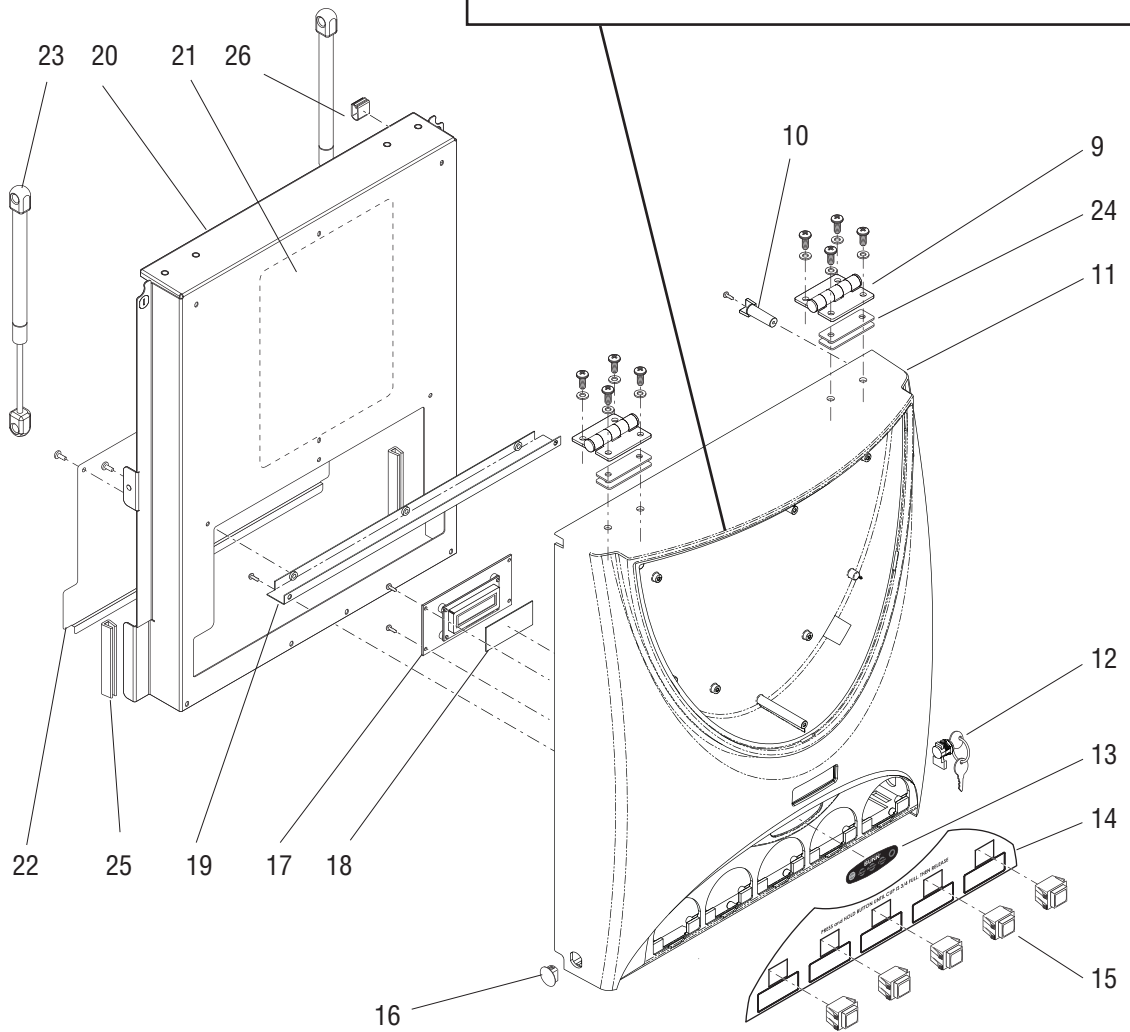
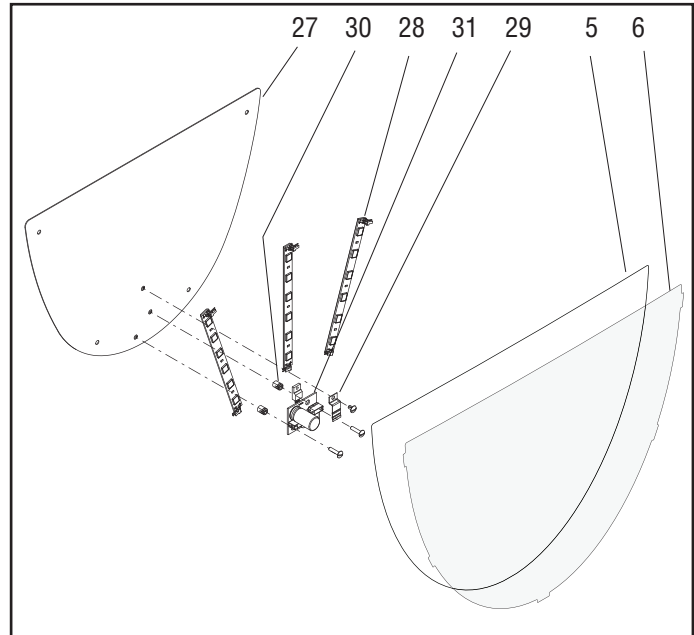
(Continued)

* Indicates the part number listed is for reference only. See DESCRIPTION for possible service replacement.

(Continued)



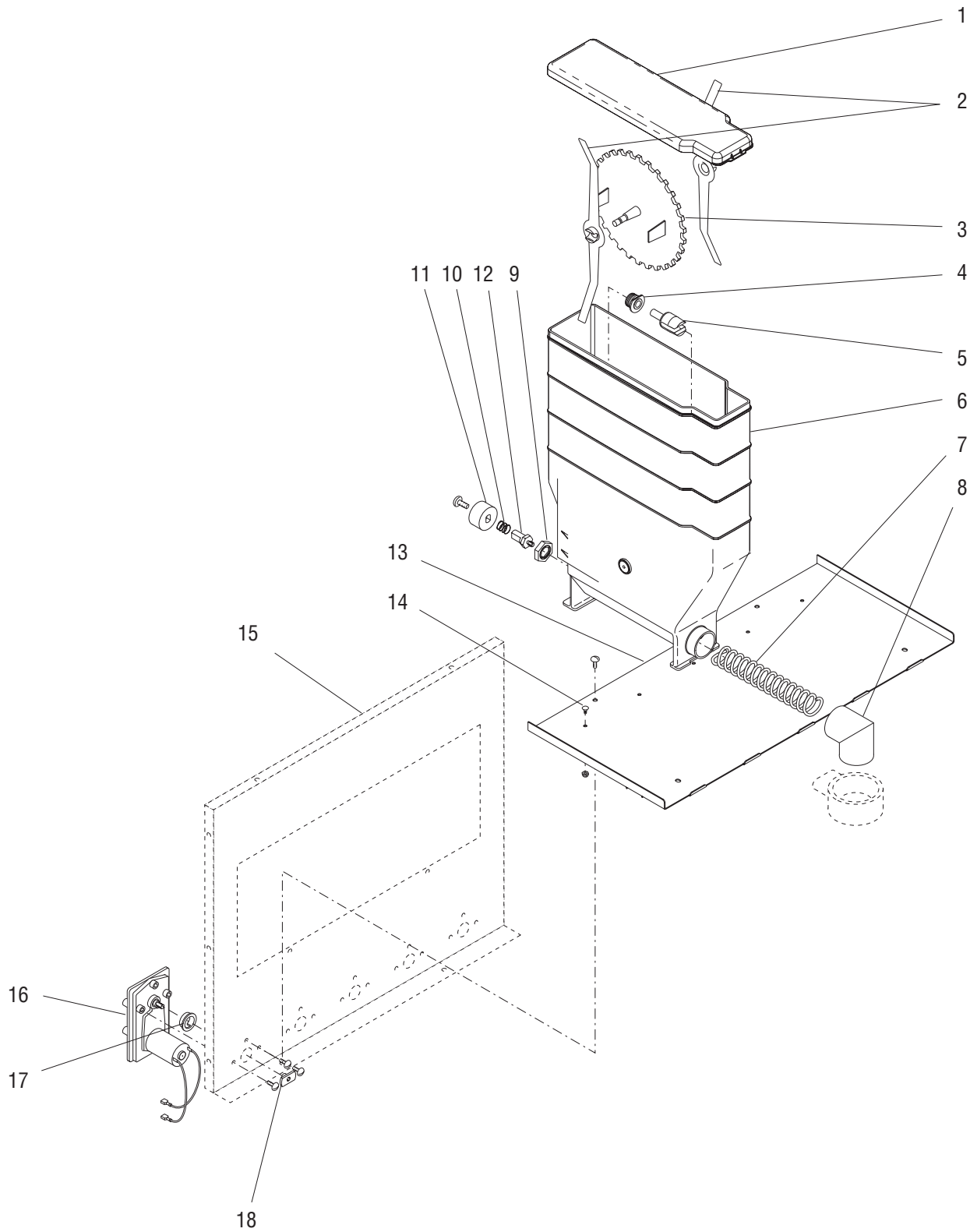
Models w/Flourescent Lighting



**DOOR, LAMP, DISPENSE SWITCHES AND PANELS
(TOP HINGED DOORS)**

ITEM	PART NO.	QTY.	DESCRIPTION
25	02434.0005*	2	Gasket, U-channel 3.5" (order item 37)
26	35260.0000	2	Cable Mount
27	46324.0001	1	Panel, Lamp (Doors with LED Lighting)
	01360.0002	4	Screw, Pan Head Plascrew #6 - 32 x .375"
28	42593.0000	3	CBA, 6 LED (Doors with LED Lighting)
29	41244.0000	1	Clip (Doors with LED Lighting)
	01308.0002	1	Screw, Truss Head 6-32 x .25" Lkg
30	29081.0005	2	Spacer
31	48005.0001	1	CBA, Backlight Regulator (Doors with LED Lighting)
	02367.0002	2	Screw, Truss Head 6-32 x .62" Lkg
NOTE: The following items are not illustrated			
32	00707.0001	2	Bushing, Strain Relief (Doors with Flourescent Lighting)
	47555.0000	2	Bushing, Strain Relief (Doors with LED Lighting)
33	36888.0002	1	Wiring Harness, Door Interconnect (Doors with Flourescent Lighting)
	47311.0001	1	Wiring Harness, Door Interconnect (Doors with LED Lighting)
34	36887.0003	1	Wiring Harness, Backlight (Doors with Flourescent Lighting)
35	26537.0000	1	Decal, Flavors (Almond Amaretto, Cappuccino, French Vanilla, Hazelnut, Hot Chocolate and Raspberry Mocha)
	26537.0001	1	Decal, Flavors (Swiss Mocha, Mocha, Raspberry Vanilla, Irish Creme, Coffee and Original)
	26537.0003	1	Decal, Flavors (White Chocolate, Cinnamon Vanilla Nut, Decaf, Regular, French Vanilla and Hot Chocolate)
	26537.0039	1	Decal, Iced Coffee Flavors (Espresso Latte, Mocha Latte, Colombian, Dark Roast, Raspberry Coffee, Hazelnut Coffee, French Vanilla Latte, Caramel Latte, Chai Tea Latte, Horchatta)
36	42596.0001	1	Cable Wrap, Door Interconnect Harness
37	02434.1000	-	Gasket, U-Channel - 18" LG
	02434.1001	-	Gasket, U-Channel - 36" LG
41	42609.0000	1	Wiring Harness, LED to CBA (Doors with LED Lighting)
	42609.0001	1	Wiring Harness, LED to LED (Doors with LED Lighting)

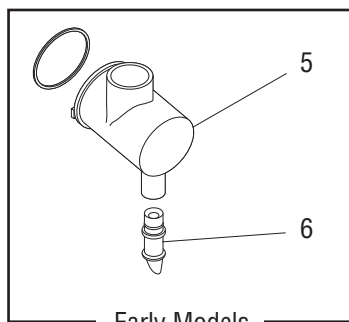
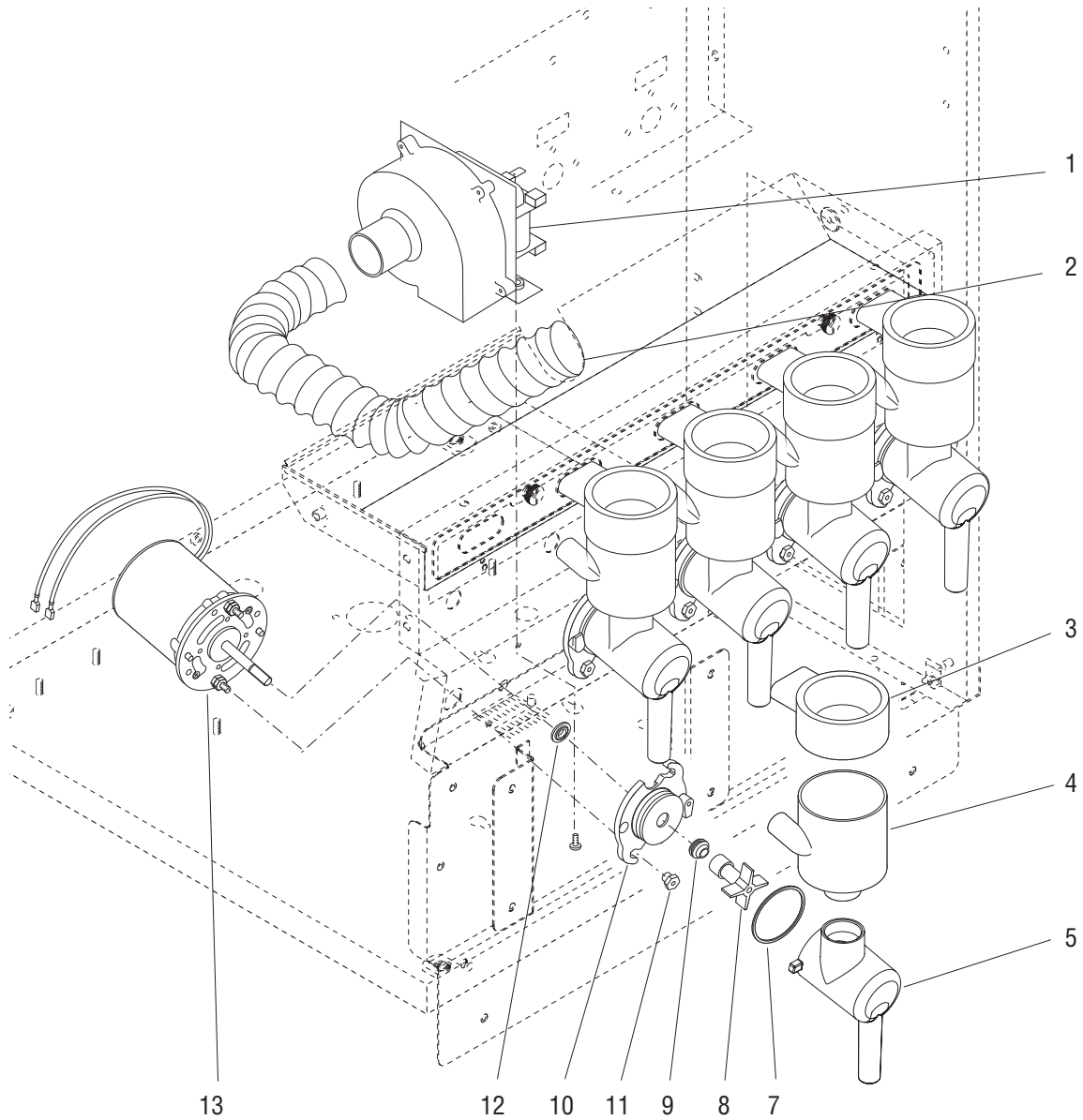
* Indicates the part number listed is for reference only. See DESCRIPTION for possible service replacement.



AUGER DRIVE AND HOPPER ASSEMBLY

ITEM	PART NO.	QTY.	DESCRIPTION
-	37010.1001	-	Hopper Assy (Includes one each of items 1-12)
1	36653.0001	5	Lid, Hopper
2	32337.0000	10	Mixing Blade
3	32386.0001	5	Disk, Agitator (30 Tooth)
4	28067.0000	5	Bushing, Auger Drive Shaft
5	26940.0002	5	Shaft, Auger Drive
6	37011.0001	5	Hopper
7	39442.0000	5	Auger, Wire (use w/30-tooth Disk)
8	25903.0000	5	Elbow, Ejector
9	25743.0000	5	Locknut
10	36774.0000	5	Spring, Hopper Coupling
11	36770.0000	5	Coupling, Auger Drive
	01326.0002	5	Screw, Truss Head #10-32 x .25"
12	37539.1000	5	Shaft Kit, Auger Drive (Includes 01326.0002 Screw)
13	36766.0000	1	Panel, Hopper Support
	01311.0000	4	Screw, Truss Head #8-32 x .25"
14	20960.0000	5	Screw, Shoulder #6-32 x .375"
	00991.0002	5	Nut, Elastic Lock #6-32
15	-----	-	See COVERS, PANELS & DRIP TRAYS
16	37037.0001	5	Gearmotor Assy, Auger (Each includes items 17 and 18)
	01311.0000	15	Screw, Truss Head #8-32 x .25"
17	26401.0000	1	Dust Seal, Hopper Motor
18	36773.0000	1	Plate, Auger Drive

* Indicates the part number listed is for reference only. See DESCRIPTION for possible service replacement.

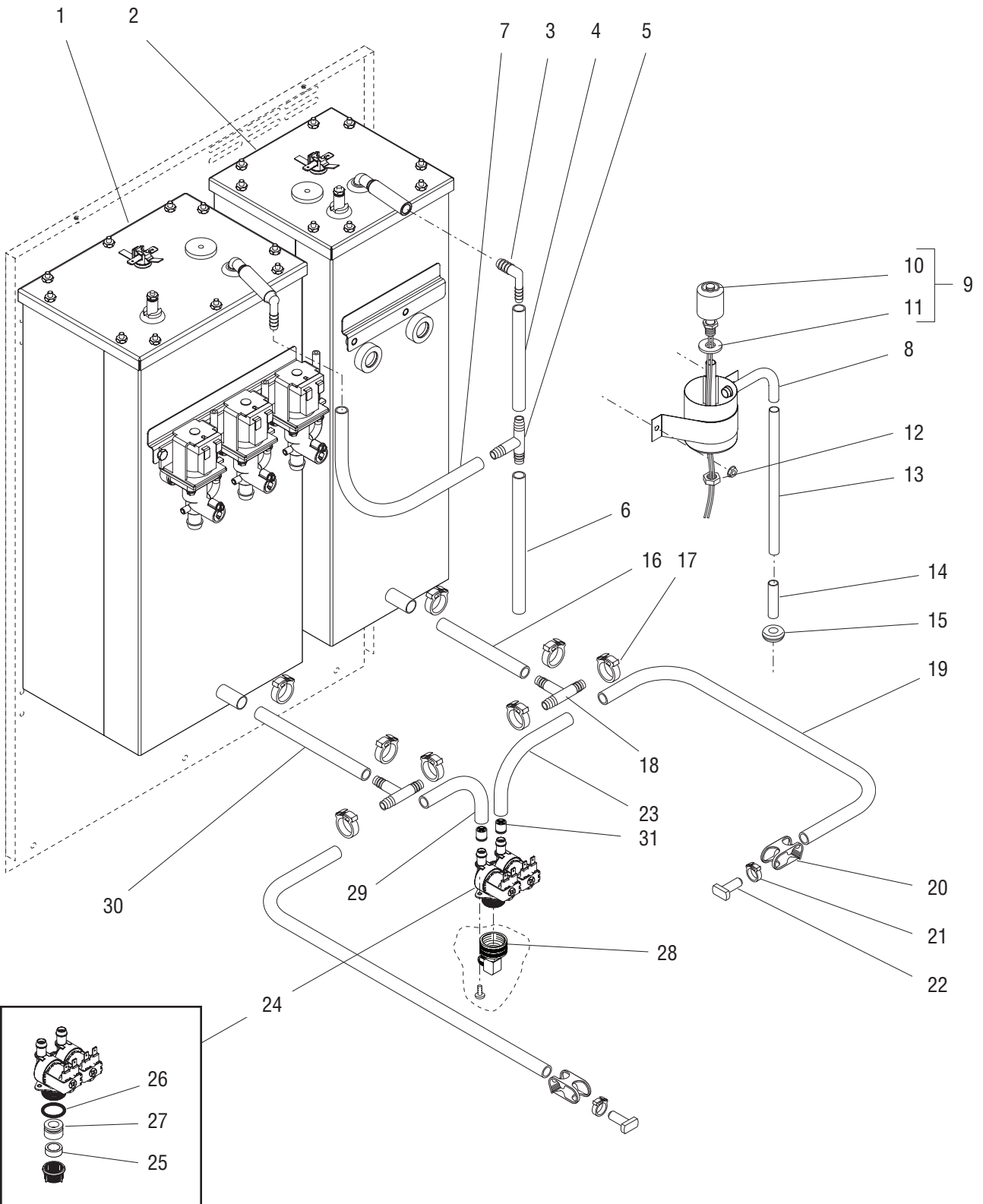


Early Models

MIXING/WHIPPER CHAMBERS AND DRIVE MOTOR

ITEM	PART NO.	QTY.	DESCRIPTION
1	28295.0000	1	Fan & Bracket Assembly 120V
	01311.0001	2	Screw, Truss Head - Locking #8-32 x .25"
2	28297.0001	1	Hose, Vacuum
3	25732.0000	5	Steam Collector
4	25733.0003	5	Mixing Chamber
5	25734.1000	5	Whipper Chamber (One Piece)
6	25736.0000	5	Dispense Tip (Early Models. Order item 5)
7	24733.0010	5	O-Ring
8	25902.0000	5	Frother
9	26356.0000	5	Seal, Shaft
	26356.1000	-	Kit, Shaft Seal (Includes 6 Seals)
10	28866.0000	5	Receptacle, Whipper Chamber
11	28865.0000	10	Nut, Whipper Motor/Receptacle Mounting
12	28867.0000	5	Slinger
13	28428.1000	5	Motor, Whipper 120V
14	32906.0001	-	Kit, Preventive Maintenance (Includes items 3 thru 10 and 25903.0000 Elbow)

* Indicates the part number listed is for reference only. See DESCRIPTION for possible service replacement.



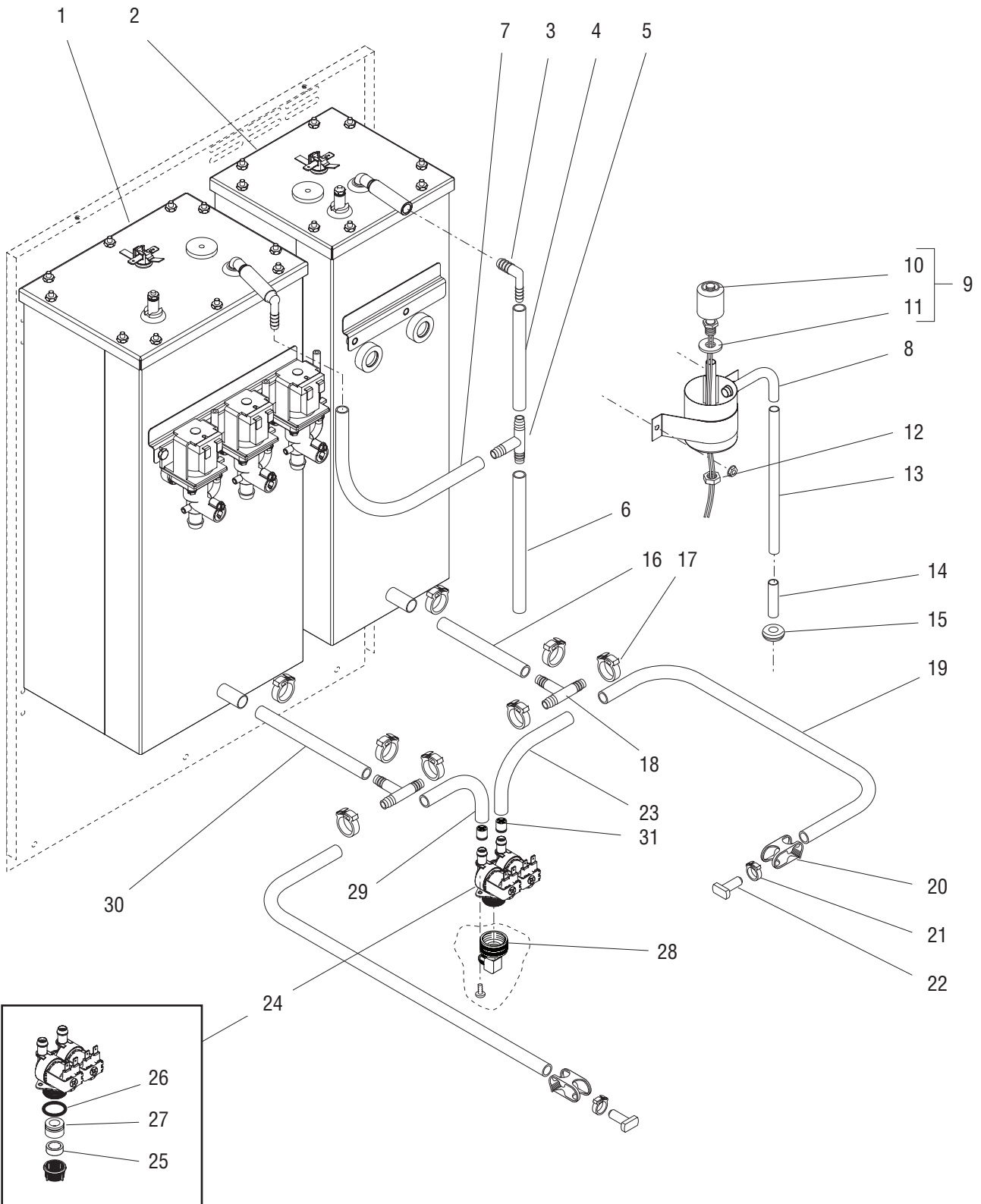
TANK MOUNTING AND LINES

ITEM	PART NO.	QTY.	DESCRIPTION
1	----- 01311.0003	1 3	Tank, Hot (See HOT TANK ASSEMBLY) Screw, Truss Head, BLK #8-32 x .25"
2	----- 01311.0003	1 3	Tank, Warm (See WARM TANK ASSEMBLY) Screw, Truss Head, BLK #8-32 x .25"
3	40348.0000	1	Elbow .25" x .38" Barb
4	28526.0039*	1	Tube, Silicone .25" ID x 10.5" (Order item 32)
5	38948.0001	1	Tee .375" Barb
6	28526.0015*	1	Tube, Silicone .313" ID x 7.25" (Order item 32)
7	28526.0002*	1	Tube, Silicone .25" ID x 16.0" (Order item 32)
8	12522.0003 00970.0000	1 2	Overflow Cup Nut, keps #8-32
9	03803.0002	1	Switch, Overflow (Includes items 10 & 11)
10	03807.0000	1	Retaining Ring
11	03633.0000	1	Gasket, Silicone
12	00946.0000	1	Nut, Brass .125"-27
13	28526.0022*	1	Tube, Silicone .313" ID x 8.0" (Order item 32)
14	21801.0015	1	Tube SST
15	02536.0000	1	Grommet
16	20976.0003*	1	Tube, Silicone .375" ID x 10.5" (Order item 33)
17	12422.0005	8	Clamp .62/.71
18	38948.0000	2	Tee .50" barb
19	20976.0056*	2	Tube, Silicone .375" ID x 28.0" (Order item 33)
20	11630.0001	2	Clamp
21	12422.0001	2	Clamp .59/.66
22	34392.0000	2	Plug
23	20976.0055*	1	Tube, Silicone .375" ID x 9.0" (Order item 33)
24	43235.1000 32283.0000	1 2	Valve, Inlet Screw, Pan Head M4 x 6mm
25	37857.0750	1	Flow Regulator .75 GPM
26	33725.0000	1	O-ring
27	40056.0004	1	Insert
28	37297.0006	1	Elbow .25" Flare x .75" FTHRD

(continued)

* Indicates the part number listed is for reference only. See DESCRIPTION for possible service replacement.

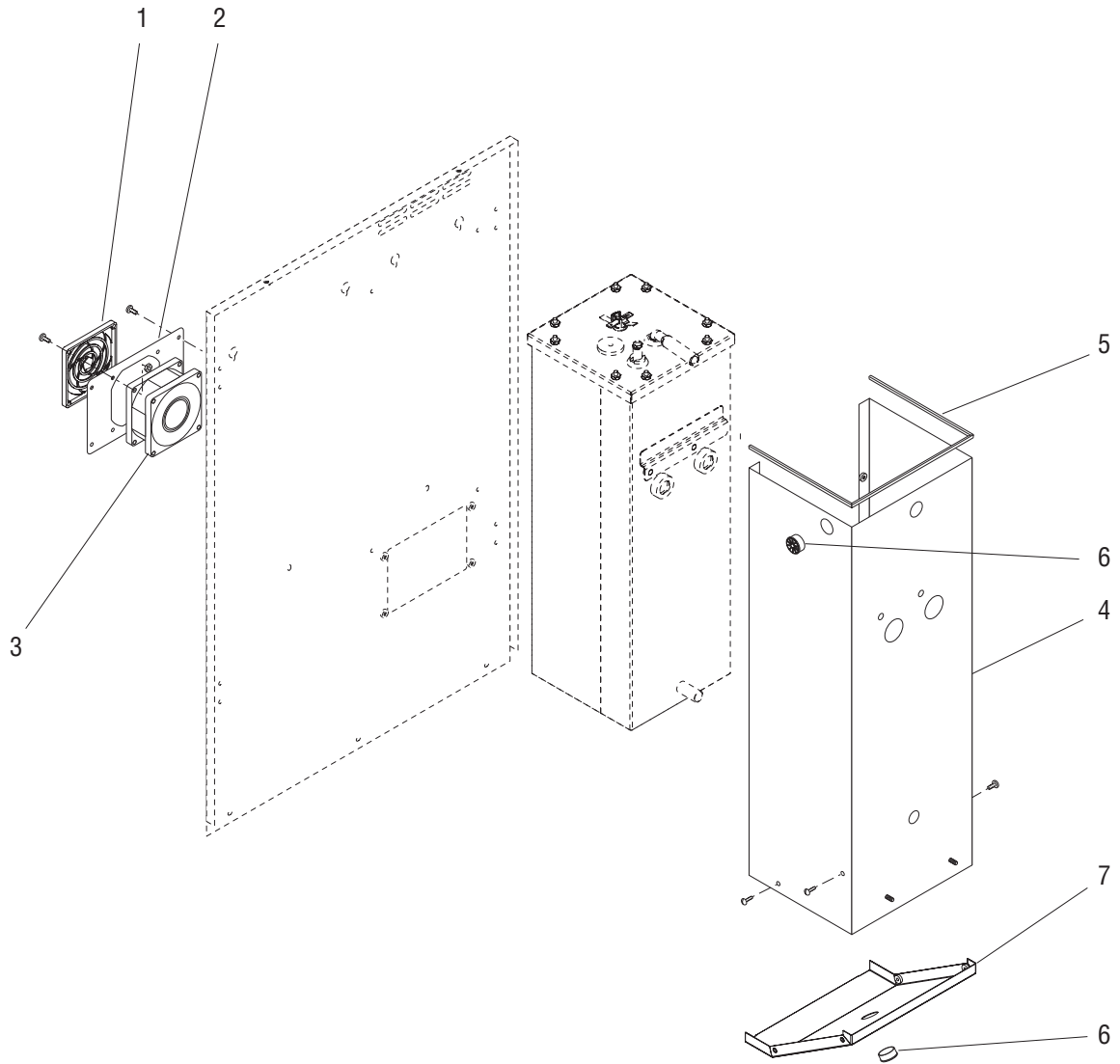
(Continued)



TANK MOUNTING AND LINES

ITEM	PART NO.	QTY.	DESCRIPTION
29	20976.0051*	1	Tube, Silicone .375" ID x 6.0" (Order item 33)
30	20976.0065*	1	Tube, Silicone .375" ID x 12.0" (Order item 33)
31	36378.0001	2	Valve, Check 2.5 psi
32	28526.1000	-	Tube, Silicone .313" ID x .562" OD x 12"
	28526.1001	-	Tube, Silicone .313" ID x .562" OD x 36"
	28526.1002	-	Tube, Silicone .313" ID x .562" OD x 60"
	28526.1003	-	Tube, Silicone .313" ID x .562" OD x 120"
33	20976.1000	-	Tube, Silicone, .375" ID x .50" OD x 12.0"
	20976.1001	-	Tube, Silicone, .375" ID x .50" OD x 36.0"
	20976.1002	-	Tube, Silicone, .375" ID x .50" OD x 120.0"

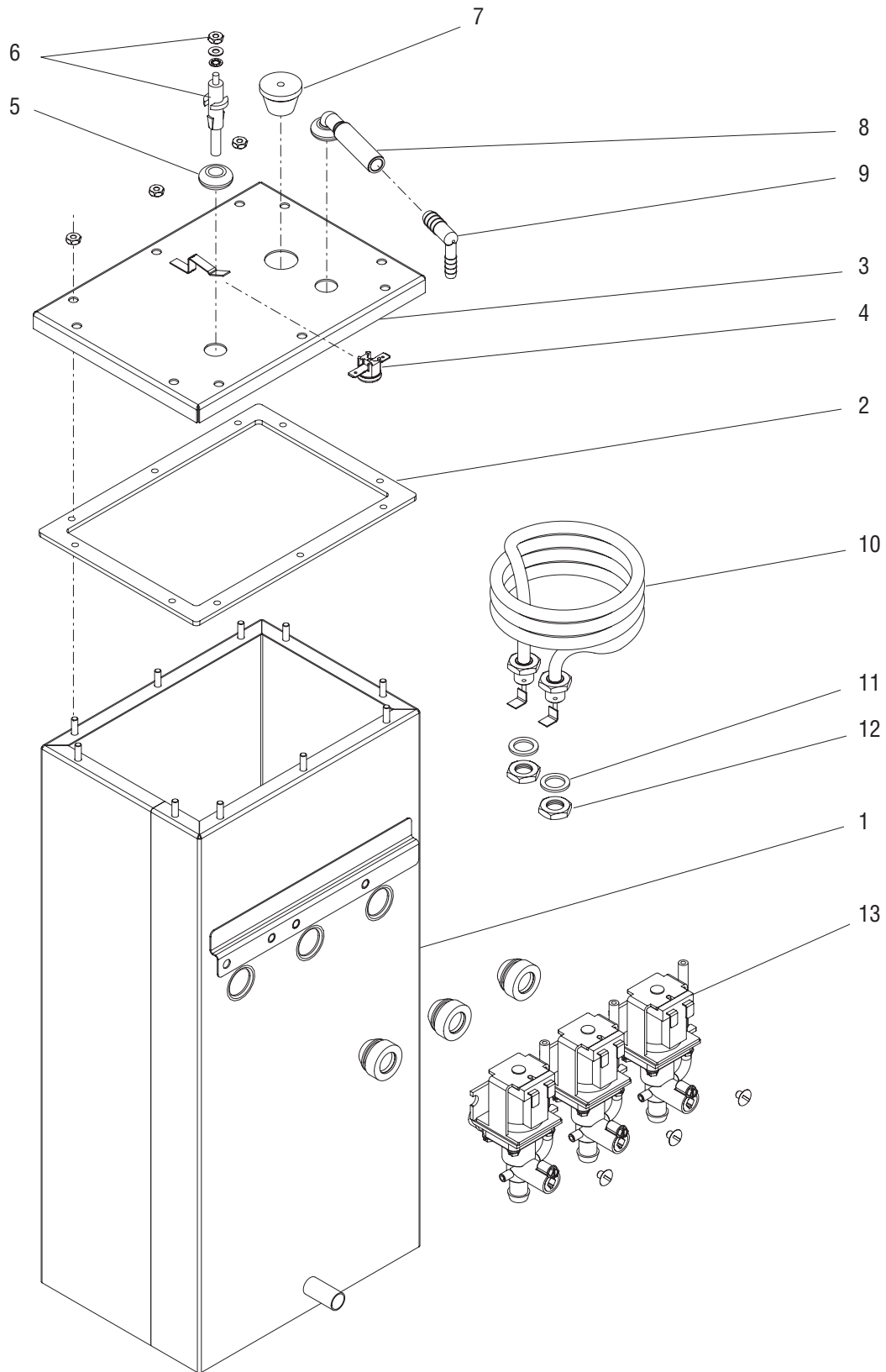
* Indicates the part number listed is for reference only. See DESCRIPTION for possible service replacement.



WARM TANK AIR DUCT AND FAN

ITEM	PART NO.	QTY.	DESCRIPTION
1	21408.0000	1	Fan Guard
	21480.0001	4	Screw, Flat Head #6-32 x 2.0"
	00991.0002	4	Nut, Elastic Lock #6-32
2	41723.0000	1	Panel
	01311.0003	4	Screw, Truss Head, BLK #8-32 x .25"
3	22155.1002	1	Fan, Cooling
4	41423.0000	1	Wrapper, Water tank
	01311.0003	4	Screw, Truss Head, BLK #8-32 x .25"
5	38278.0000*	1	Edging 19.0" (Order item 8)
6	20622.0002	2	Bushing
7	41424.0000	1	Panel, Fan Duct Bottom
	01311.0001	4	Screw, Truss Head, Locking #8-32 x .25"
8	38278.1002	-	Edging 36.0" (Cut to required length)

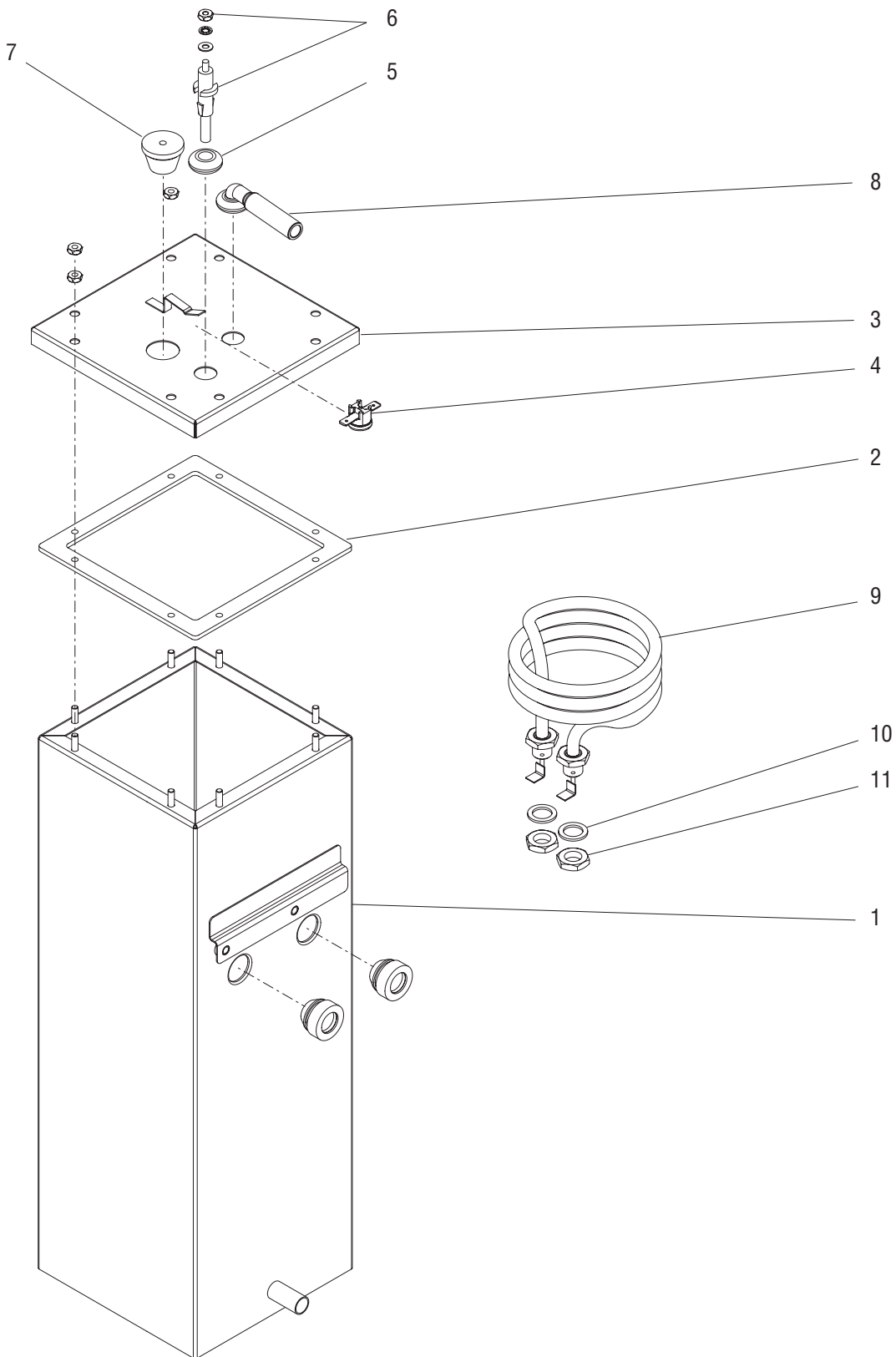
* Indicates the part number listed is for reference only. See DESCRIPTION for possible service replacement.



HOT TANK ASSEMBLY

ITEM	PART NO.	QTY.	DESCRIPTION
1	39096.0003	1	Tank
2	22978.0000	1	Gasket, Tank Lid
3	39215.0000	1	Lid, Tank
	00908.0000	10	Nut, Hex #8-32
4	29329.1000	1	Limit Thermostat
5	02536.0000	1	Grommet
6	20936.1000	1	Probe, Liquid Level
	01501.0000	1	Washer
	20203.0100	1	Lockwasher, Internal Tooth #8
	00908.0000	1	Nut, Hex #8-32
7	33801.0003	1	Grommet
8	38969.0001	1	Fitting, Tank Vent
9	40348.0000	1	Fitting, Elbow .25" Barb x .375" Barb
10	02756.1000	1	Heater Assy (Includes item 11)
11	00943.0000	2	Gasket
12	00942.0000	2	Nut, Brass .50-20
13	-----	3	Dispense Valve (See DISPENSE VALVES AND LINES)

* Indicates the part number listed is for reference only. See DESCRIPTION for possible service replacement.

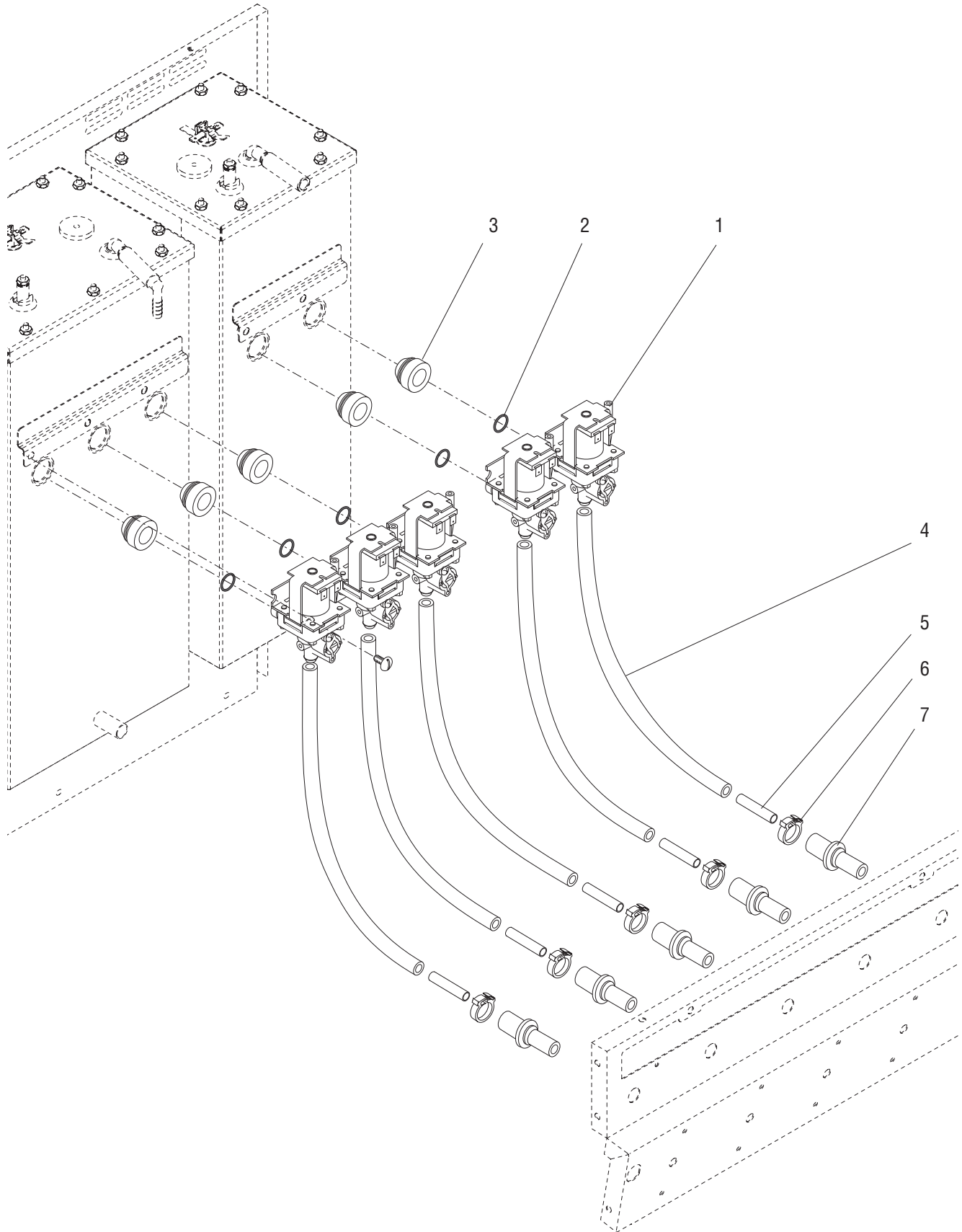


P4087.75

WARM TANK ASSEMBLY

ITEM	PART NO.	QTY.	DESCRIPTION
1	38673.0001	1	Tank
2	41458.0000	1	Gasket, Tank Lid
3	38677.0001	1	Lid, Tank
	00908.0000	8	Nut, Hex #8-32
4	29329.1000	1	Limit Thermostat
5	02536.0000	1	Grommet
6	20936.1000	1	Probe, Liquid Level
	01501.0000	1	Washer
	20203.0100	1	Lockwasher, Internal Tooth #8
	00908.0000	1	Nut, Hex #8-32
7	33801.0003	1	Grommet
8	38969.0001	1	Fitting, Tank Vent
9	02756.1000	1	Heater Assy (Includes item 10)
10	00943.0000	2	Gasket
11	00942.0000	2	Nut, Brass .50-20

* Indicates the part number listed is for reference only. See DESCRIPTION for possible service replacement.

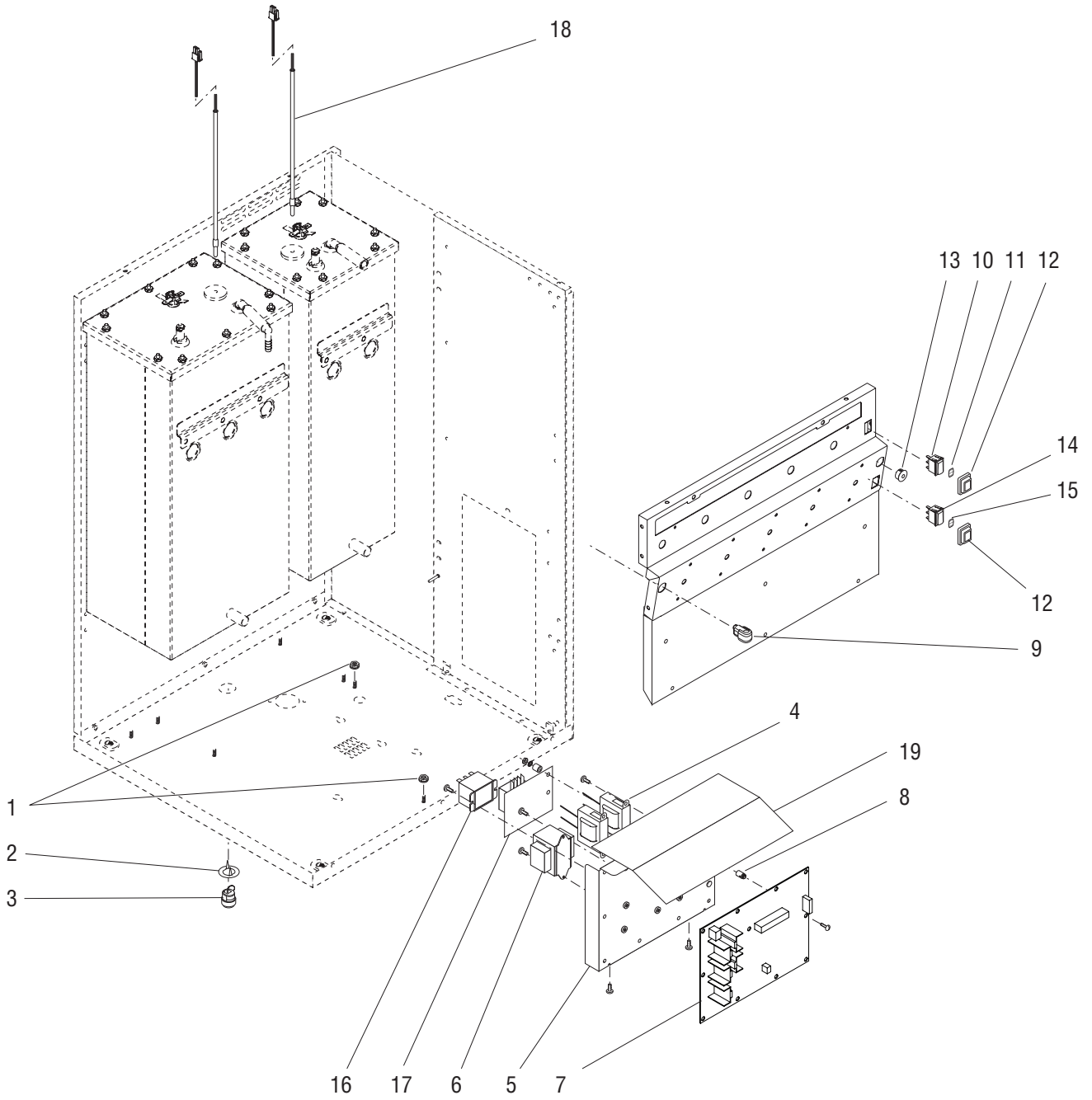


DISPENSE VALVES AND LINES

ITEM	PART NO.	QTY.	DESCRIPTION
1	39285.1001	5	Valve, Liquid Dispense 120V (Includes item 2)
	01326.0000	5	Screw, Truss Head #10-32 x .25"
2	24733.0011	5	O-Ring
3	37970.0000	5	Grommet, Valve Mounting
4	28526.0027*	5	Tube, Silicone .312" ID x 16.5" (Order item 8)
5	21801.0015	5	Tube SST
6	12422.0001	5	Clamp, Hose .59"/.66" ID
7	25803.0000	5	Water Inlet, Mixing Chamber
8	28526.1001	-	Tube, Silicone .312" I.D. x .438" O.D. x 36"
	28526.1002	-	Tube, Silicone .312" I.D. x .438" O.D. x 60"
	28526.1003	-	Tube, Silicone .312" I.D. x .438" O.D. x 120"
10	45964.1000	-	Repair Kit, Dispense Valve (Includes Spring, Plunger, and Diaphragm)

} Not
Illustrated

* Indicates the part number listed is for reference only. See DESCRIPTION for possible service replacement.



ELECTRICAL CONTROLS

ITEM	PART NO.	QTY.	DESCRIPTION
1	00970.0000	2	Nut, Keps #8-32 - Power Cord Ground
2	00715.0000	1	Adapter Washer, Strain Relief
3	00713.0000	1	Bushing, Strain Relief
4	28327.0002 01382.0000	2 4	Ballast 120V Screw, Truss Head #6-32 x .38"
5	38853.0002 01311.0001	1 2	Panel, Component Bracket Screw, Locking #8-32 x .25"
6	34829.0001 01382.0000	1 2	Transformer Screw, Truss Head #6-32 x .38"
7	40280.1002 01382.0008	1 11	Control Board Screw, Truss Head #6-32 x 1.00"
8	29081.0004	11	Spacer
9	26444.0000	1	Bushing, Strain Relief
10	27437.0001	1	Switch, Normal/Program/Rinse
11	37192.0000	1	Decal, Normal/Program/Rinse
12	34390.0000	2	Cap, Switch
13	00669.0005	1	Plug
14	20317.0001	1	Switch, Power Control
15	41517.0000	1	Decal, Fan ON/OFF
16	35207.0003 01382.0000	1 2	Relay Screw, Truss Head #6-32 x .38"
17	07074.1030 00450.0000 01511.0000 00970.0000	1 2 2 2	Control Board, Liquid Level Spacer Lockwasher Nut
18	39085.0002	2	Probe, Temperature & Dry Plug
19	46640.0000	1	Drip Shield
The following items are not illustrated			
20	35260.0000	1	Cable Mount
21	20630.0008	1	Power Cord
22	38941.0000	1	Wiring Harness, Switches
23	38942.0000	1	Wiring Harness, Auger Motors
24	36888.0000 47311.0001	1 1	Wiring Harness, Door Interconnect (Doors with Flourescent Lighting) Wiring Harness, Door Interconnect (Doors with LED Lighting)
25	38940.0009 38940.0029 00908.0000 01511.0000	1 1 1 1	Wiring Harness, Main 120V (Doors with Flourescent Lighting) Wiring Harness, Main 120V (Doors with LED Lighting) Nut, Hex #8-32 (Harness Grounding to Tank Lid) lockwasher, External-tooth #8
26	41491.0000	1	Wiring Harness, Second Tank Heater
27	41696.0000* 00908.0000 01511.0000	1 1 1	Wiring Harness, Liquid Level Nut, Hex #8-32 (Harness Grounding to Tank Lid) lockwasher, External-tooth #8
28	46293.0001	1	Wiring Harness, Transformer (Doors with LED Lighting)

* Indicates the part number listed is for reference only. See DESCRIPTION for possible service replacement.

NUMERICAL INDEX

PART NO.	PAGE NO.	PART NO.	PAGE NO.	PART NO.	PAGE NO.	PART NO.	PAGE NO.
00450.0000.....	33	20976.0051.....	23	29081.0005.....	11,15	36670.0000.....	7
00619.0002.....	7	20976.0055.....	21	29329.1000.....	27,29	36734.0000.....	9,13
00656.0001.....	7	20976.0056.....	21	32283.0000.....	21	36739.0000.....	7
00669.0004.....	9,13	20976.0065.....	23	32337.0000.....	17	36742.0000.....	5
00669.0005.....	5,33	20976.1000.....	23	32386.0001.....	17	36743.0000.....	7
00707.0001.....	15	20976.1001.....	23	32806.0000.....	9,13	36743.0001.....	5
00713.0000.....	33	20976.1002.....	23	32807.0001.....	9,13	36766.0000.....	17
00715.0000.....	33	21408.0000.....	25	32863.1000.....	9,13	36768.0000.....	13
00824.0002.....	7	21436.0000.....	7	32906.0001.....	19	36768.0005.....	13
00831.0000.....	7	21480.0001.....	25	33725.0000.....	21	36768.0006.....	9
00908.0000.....	27,29,33	21801.0015.....	21,31	33801.0003.....	27,29	36770.0000.....	17
00942.0000.....	27,29	22155.1002.....	25	34362.0000.....	9	36773.0000.....	17
00943.0000.....	27,29	22978.0000.....	27	34390.0000.....	33	36774.0000.....	17
00946.0000.....	21	24457.0002.....	9	34392.0000.....	21	36887.0003.....	11,15
00970.0000.....	21	24733.0010.....	19	34666.0000.....	5	36888.0000.....	11,33
00970.0000.....	33	24733.0011.....	31	34667.0000.....	11	36888.0002.....	15
00991.0002.....	17,25	25732.0000.....	19	34829.0001.....	33	36896.0000.....	7
01308.0002.....	11,15	25733.0003.....	19	34998.0000.....	5	37010.1001.....	17
01311.0000.....	5,7,9,11,13,17	25734.1000.....	19	35207.0003.....	33	37011.0001.....	17
01311.0001.....	5,7,9,11,13	25736.0000.....	19	35260.0000.....	15,33	37013.0000.....	9,13
01311.0001.....	19,25,33	25743.0000.....	17	35912.1001.....	5	37037.0001.....	17
01311.0003.....	5,7,21,25	25803.0000.....	31	35912.1012.....	5	37065.0000.....	7
01326.0000.....	31	25902.0000.....	19	35912.1014.....	5	37096.0000.....	9
01326.0002.....	17	25903.0000.....	17	35915.1001.....	5	37096.0003.....	13
01360.0002.....	9,11,15	26356.0000.....	19	35916.1001.....	5	37180.1000.....	5
01382.0000.....	33	26356.1000.....	19	35924.0000.....	7	37192.0000.....	33
01382.0002.....	5	26401.0000.....	17	35925.1003.....	7	37254.0003.....	9,13
01382.0008.....	33	26444.0000.....	11,33	35926.0000.....	5	37297.0006.....	21
01403.0000.....	11	26528.0000.....	7	35927.0002.....	5	37539.1000.....	17
01501.0000.....	27,29	26537.0000.....	11,15	35929.0000.....	5	37857.0750.....	21
01509.0001.....	5	26537.0001.....	11,15	35929.0004.....	5	37881.0000.....	7
01511.0000.....	33	26537.0003.....	11,15	36149.0000.....	9	37970.0000.....	31
01526.0001.....	7	26537.0039.....	11,15	36224.1002.....	7	37988.0000.....	5
02336.0000.....	5,7,9,11,13	26940.0002.....	17	36229.0002.....	7	38278.0000.....	25
02367.0002.....	11,15	27437.0001.....	33	36230.0001.....	5	38278.1002.....	25
02434.0005.....	15	28067.0000.....	17	36231.0000.....	9,13	38345.0000.....	7
02434.0008.....	7	28095.0000.....	9,13	36232.0000.....	5	38673.0001.....	29
02434.0018.....	7	28295.0000.....	19	36235.0000.....	5	38677.0001.....	29
02434.1000.....	7,15	28296.0001.....	9	36235.0002.....	5	38832.1000.....	9,13
02434.1001.....	7,15	28296.0002.....	13	36240.0001.....	7	38853.0002.....	33
02536.0000.....	5,21,27,29	28296.0003.....	9	36244.0000.....	9,13	38923.0001.....	13
02756.1000.....	27,29	28297.0001.....	19	36644.0000.....	5	38940.0009.....	33
03633.0000.....	21	28327.0002.....	33	36644.0001.....	5	38940.0029.....	33
03803.0002.....	21	28328.0010.....	5	36647.0000.....	9	38941.0000.....	33
03807.0000.....	21	28335.0000.....	13	36647.0001.....	9	38942.0000.....	33
03996.0000.....	7	28428.1000.....	19	36648.0000.....	5	38948.0000.....	21
07074.1030.....	33	28526.0002.....	21	36650.0000.....	9,13	38948.0001.....	21
11630.0001.....	21	28526.0015.....	21	36650.0001.....	9,13	38969.0001.....	27,29
12422.0001.....	21,31	28526.0022.....	21	36653.0001.....	17	38986.0002.....	7
12422.0005.....	21	28526.0027.....	31	36656.0003.....	9,13	38986.0012.....	7
12522.0003.....	21	28526.0039.....	21	36658.0000.....	9	39038.0000.....	11
13255.0003.....	7	28526.1000.....	23	36659.0000.....	11	39046.0000.....	9
20203.0100.....	27,29	28526.1001.....	23,31	36659.0002.....	11,13	39085.0002.....	33
20317.0001.....	33	28526.1002.....	23,31	36661.0000.....	11	39096.0003.....	27
20622.0002.....	25	28526.1003.....	23,31	36661.0002.....	11	39215.0000.....	27
20630.0008.....	33	28865.0000.....	19	36662.0000.....	9,13	39285.1001.....	31
20936.1000.....	27,29	28866.0000.....	19	36667.1000.....	9	39442.0000.....	17
20960.0000.....	17	28867.0000.....	19	36667.1002.....	9	40001.1000.....	11
20976.0003.....	21	29081.0004.....	33	36669.0000.....	11	40031.1000.....	11

NUMERICAL INDEX

PART NO.	PAGE NO.	PART NO.	PAGE NO.	PART NO.	PAGE NO.	PART NO.	PAGE NO.
40031.1001.....	11						
40032.0002.....	11,13						
40056.0004.....	21						
40280.1002.....	33						
40348.0000.....	21,27						
41244.0000.....	11,15						
41423.0000.....	25						
41424.0000.....	25						
41458.0000.....	29						
41491.0000.....	33						
41517.0000.....	33						
41564.0001.....	13						
41696.0000.....	33						
41723.0000.....	25						
41921.0000.....	13						
41923.0000.....	13						
42471.0001.....	5						
42487.0000.....	13						
42593.0000.....	11,15						
42596.0001.....	15						
42609.0000.....	11,15						
42609.0001.....	11,15						
43235.1000.....	21						
43514.0001.....	13						
44095.0000.....	13						
44224.0000.....	5,7,13						
45964.1000.....	31						
46293.0001.....	33						
46324.0001.....	11,15						
46640.0000.....	33						
47311.0001.....	11,15,33						
47555.0000.....	11,15						
48005.0001.....	11,15						